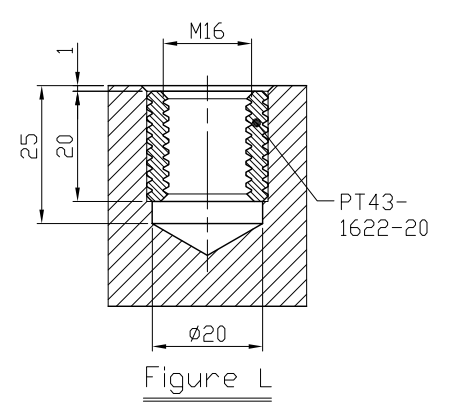
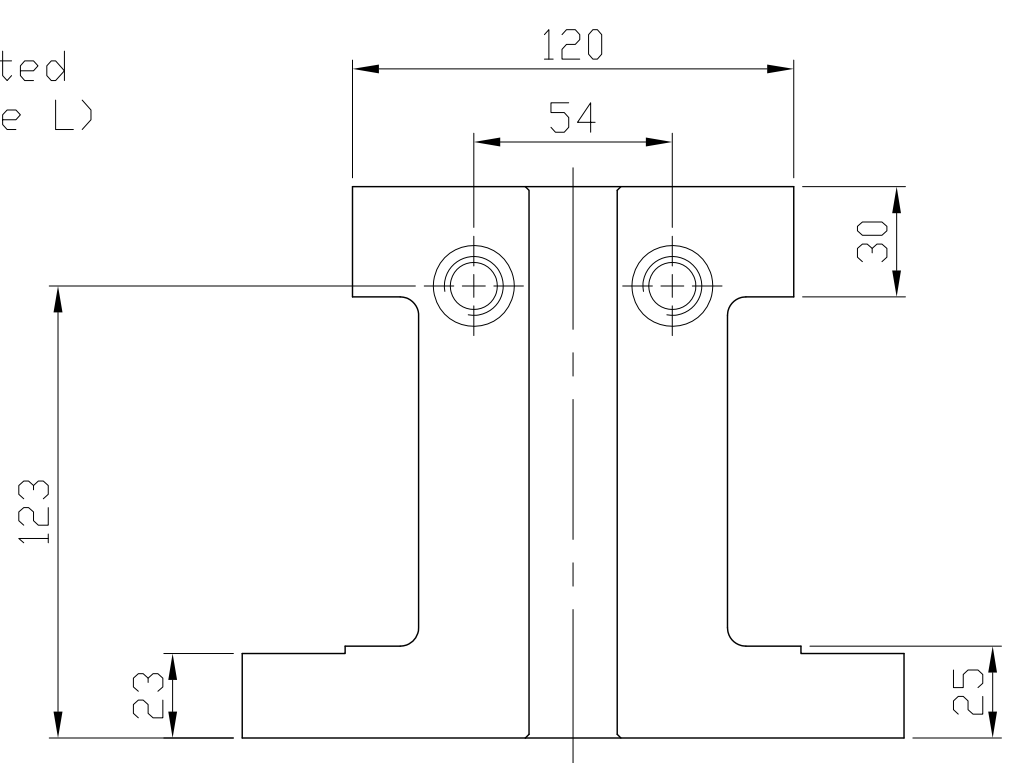
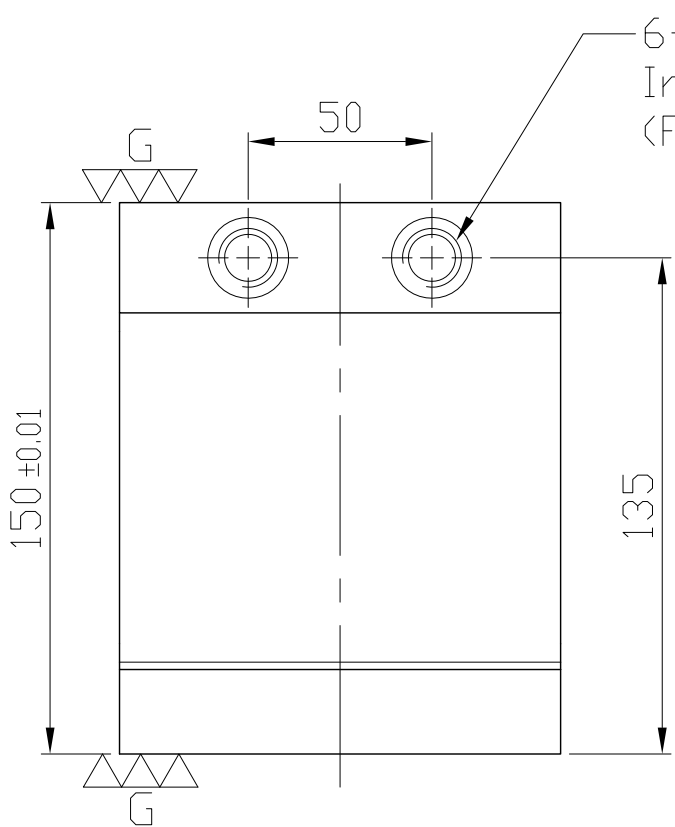
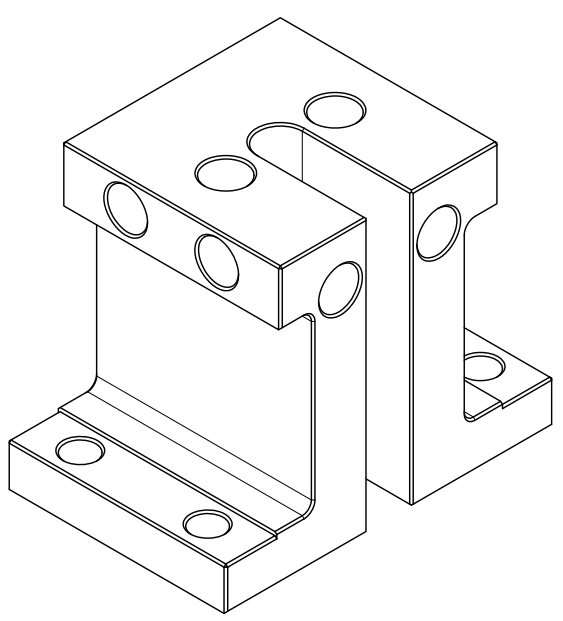
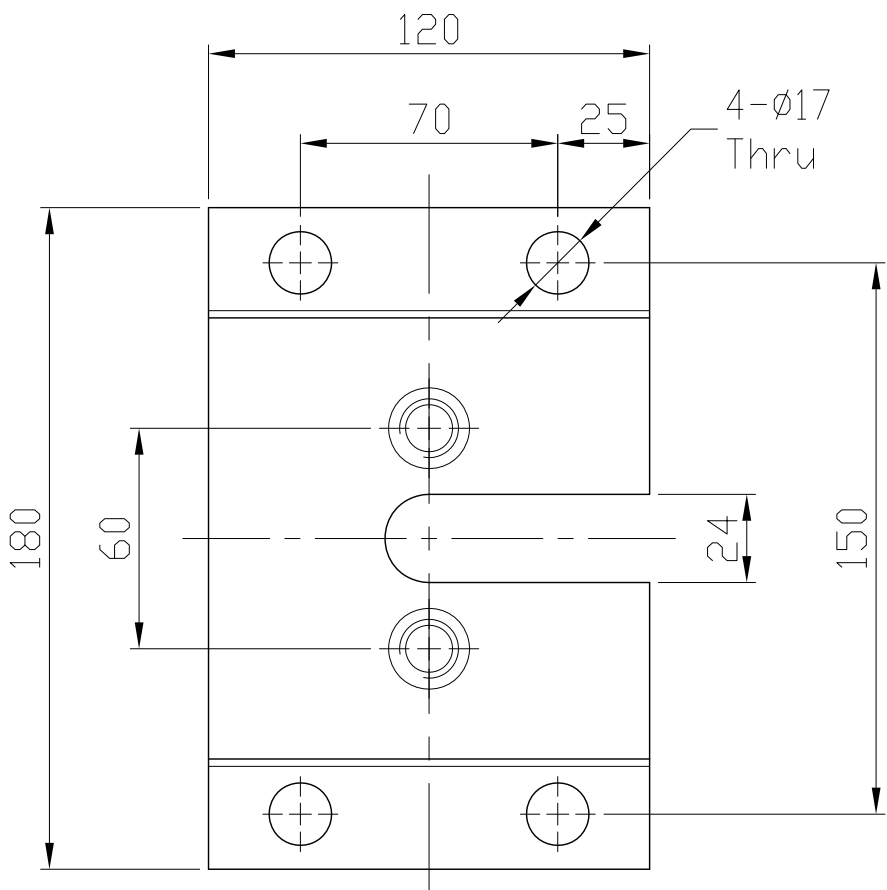
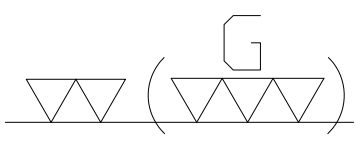


1 2 3 4 5 6 7 8 9 10 11 12 13 14 15 16 17 18 19 20

A B C D E F G H I J K L M N O P Q R S T U V W X Y Z AA AB



*Edge chamfered C1

NW:15.5KG

Material FC300		Heat treatment Annealing Process			Surface treatment			
Drafted by KENZI	Checked by	Approved by		Scale 1/1	Date 2014.11.18	Sheet 1/1	Edition A	
			TITLE H/CAST SECTION					
			DWG.NO. BP37-120180-0150-16					

1 2 3 4 5 6 7 8 9 10 11 12 13 14 15 16 17 18 19 20