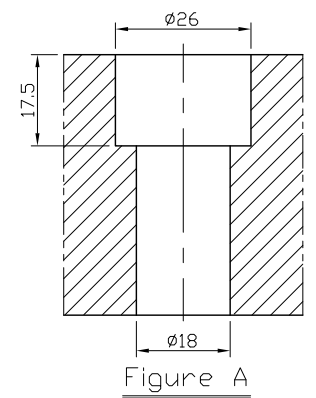
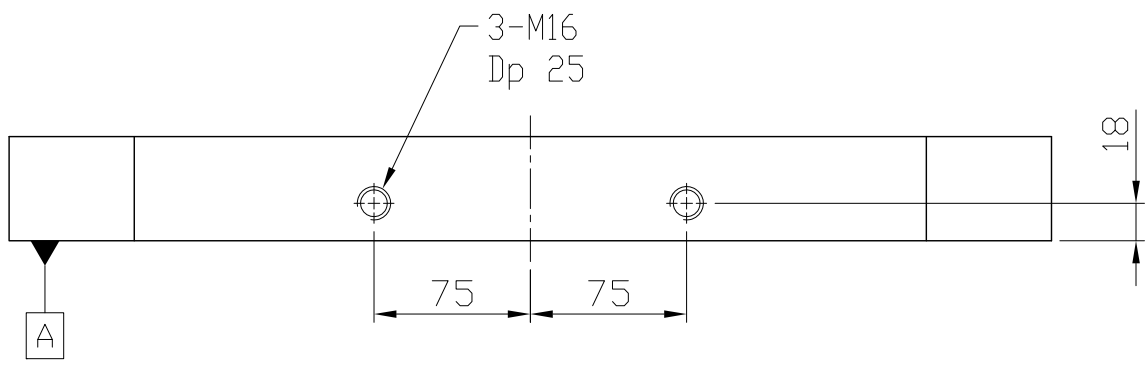
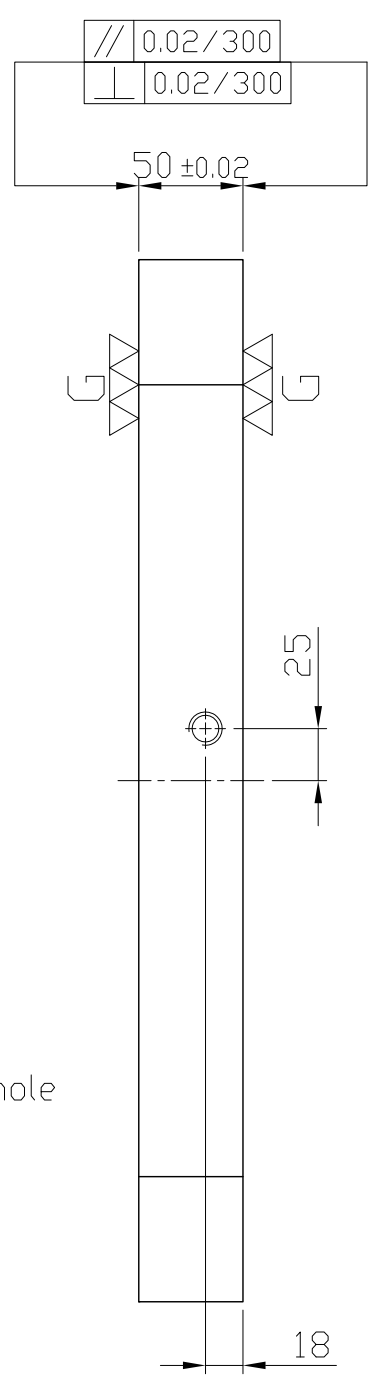
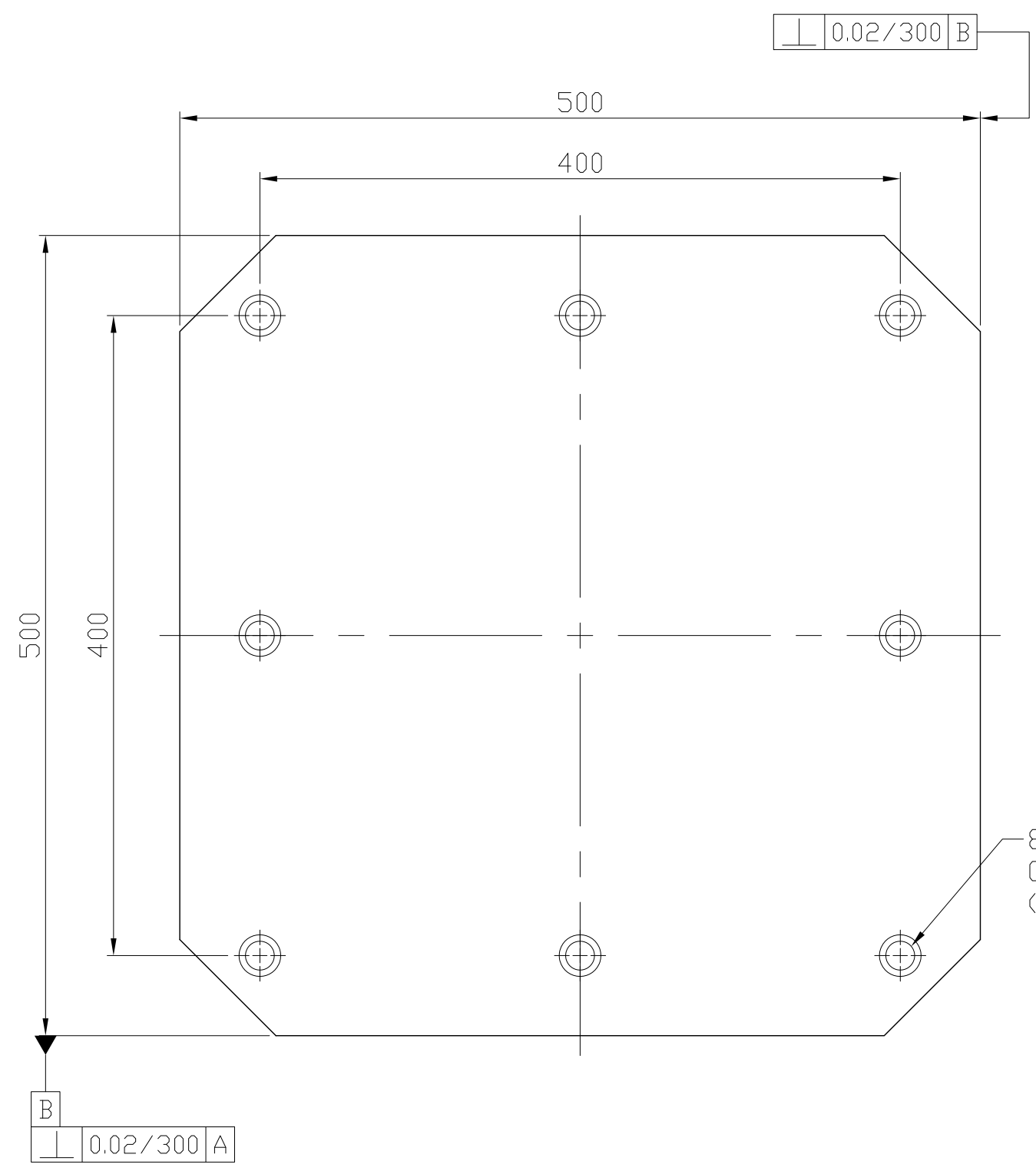
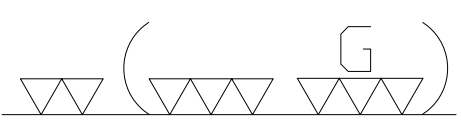


1 2 3 4 5 6 7 8 9 10 11 12 13 14 15 16 17 18 19 20

A
B
C
D
E
F
G
H
I
J
K
L
M
N
O
P
Q
R
S
T
U
V
W
X
Y
Z
AA
AB

A
B
C
D
E
F
G
H
I
J
K
L
M
N
O
P
Q
R
S
T
U
V
W
X
Y
Z
AA
AB



*Edge chamfered C2

NW:88KG

Material FC300		Heat treatment Annealing Process			Surface treatment			
Drafted by S.C.H	Checked by	Approved by		Scale 1/1	Date 2011.10.19	Sheet 1/1	Edition A	
			TITLE M/C BASE PLATE					
			DWG.NO. BP04-50500-0500					

1 2 3 4 5 6 7 8 9 10 11 12 13 14 15 16 17 18 19 20