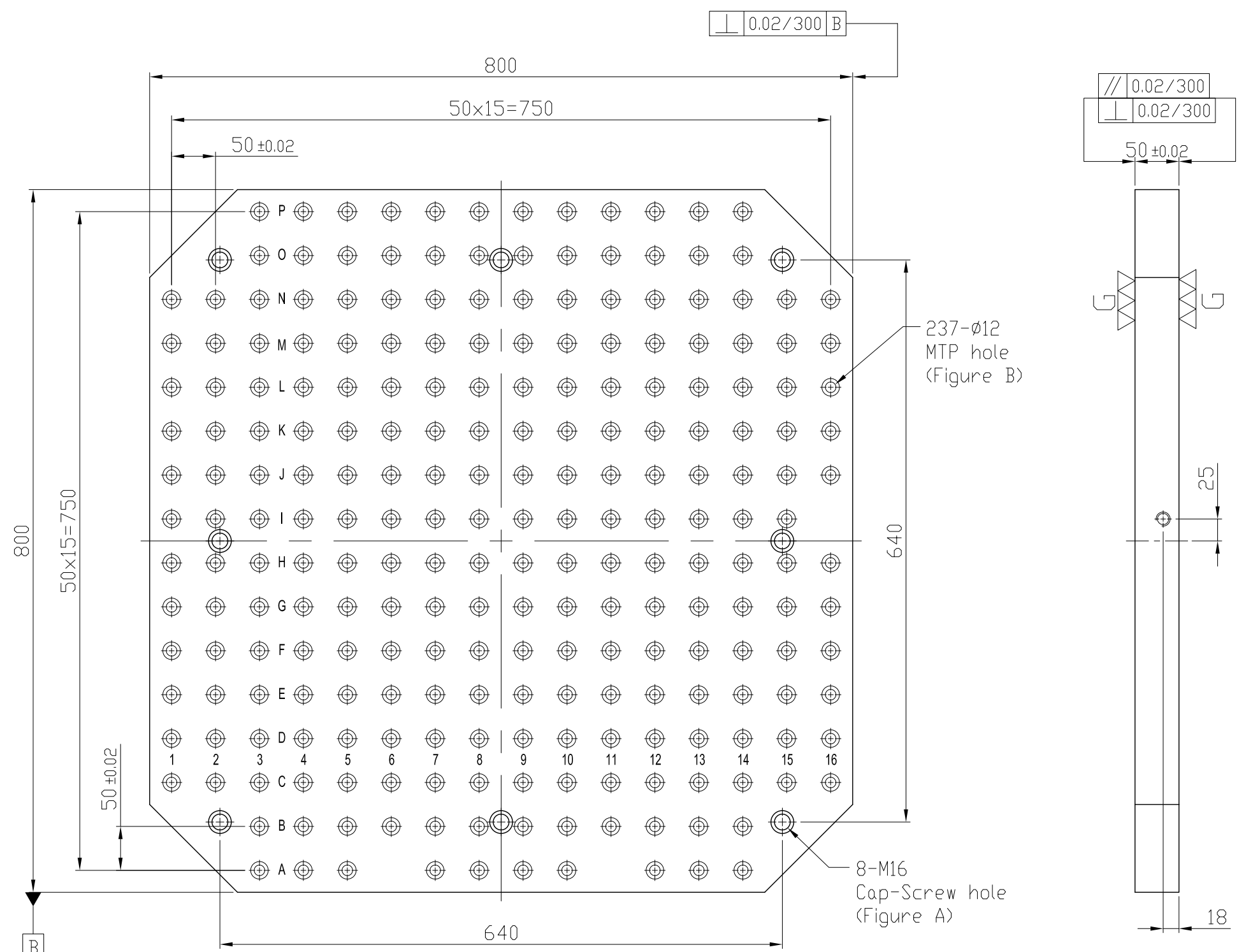
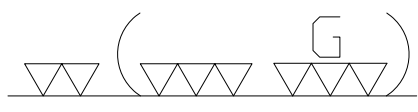


1 2 3 4 5 6 7 8 9 10 11 12 13 14 15 16 17 18 19 20

A B C D E F G H I J K L M N O P Q R S T U V W X Y Z AA AB



B
0.02/300 A

0.02/300 B

0.02/300
0.02/300

237- ϕ 12
MTP hole
(Figure B)

8-M16
Cap-Screw hole
(Figure A)

3-M16
Dp 25

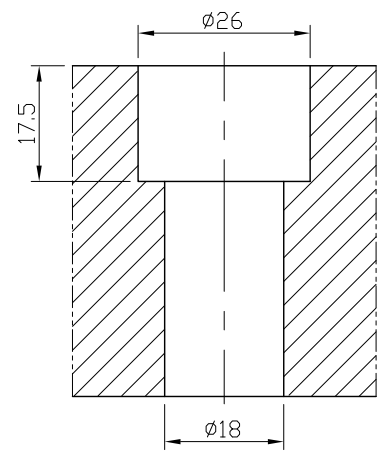
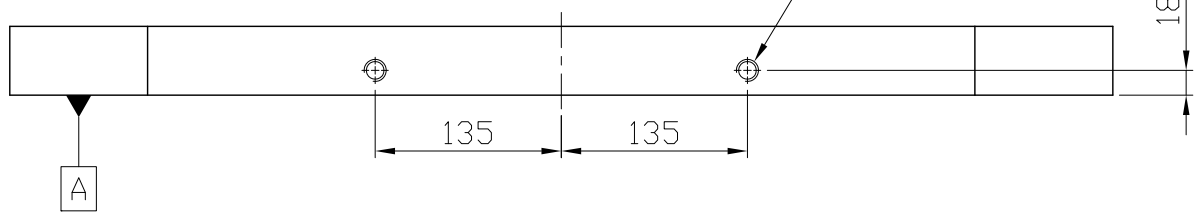


Figure A

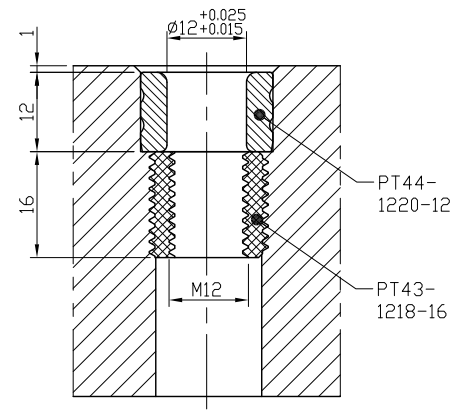


Figure B

*Edge chamfered C2

NW:206KG

Material FC300		Heat treatment Annealing Process			Surface treatment		
Drafted by S.C.H	Checked by	Approved by	Scale 1/1	Date 2011.10.19	Sheet 1/1	Edition A	
			TITLE M/C BASE PLATE				
			DWG.NO. BP05-50800-0800-12				

1 2 3 4 5 6 7 8 9 10 11 12 13 14 15 16 17 18 19 20