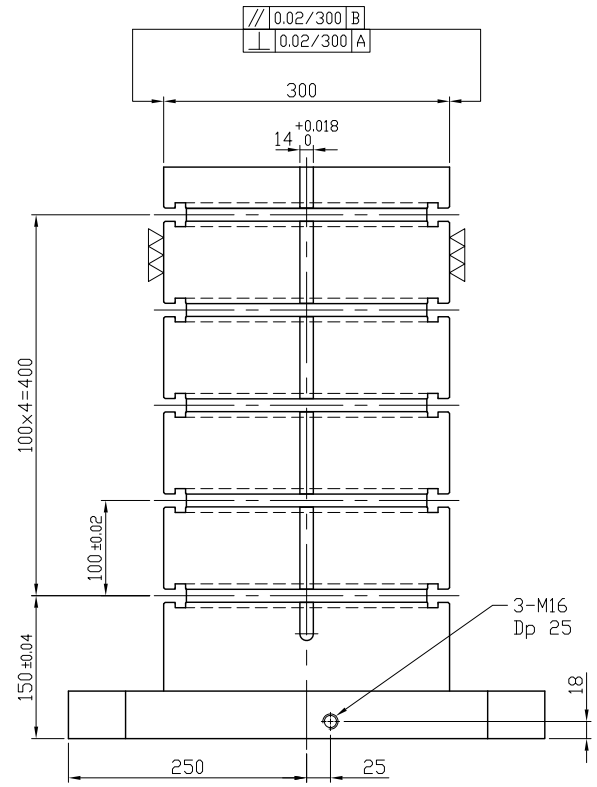
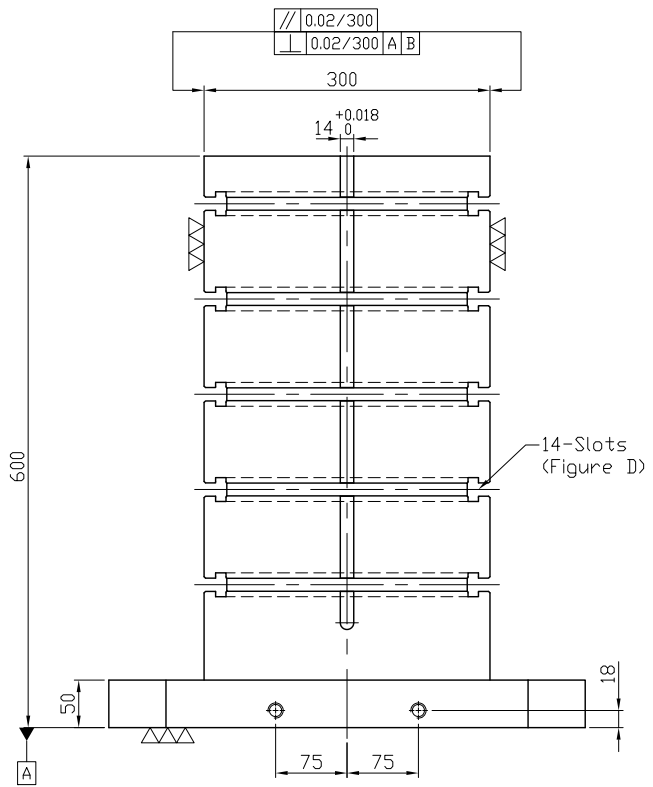
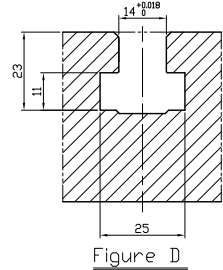



8-M16
Cap-Screw hole
(Figure A)



*Edge chamfered C2

NW:260KG

Material FC300		Heat treatment Annealing Process		Surface treatment			
Drafted by S.C.H	Checked by	Approved by	Scale 1/1	Date 2011.10.19	Sheet 1/1	Edition A	
 LEAVE INDUSTRIAL CO., LTD.			TITLE SQUARE TOOLING COLUMN				
			DWGNO. BP09-500500-0600-14				