

Figure A

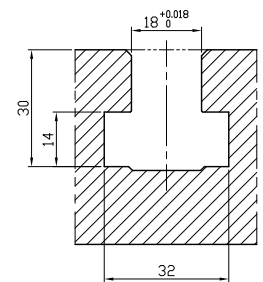
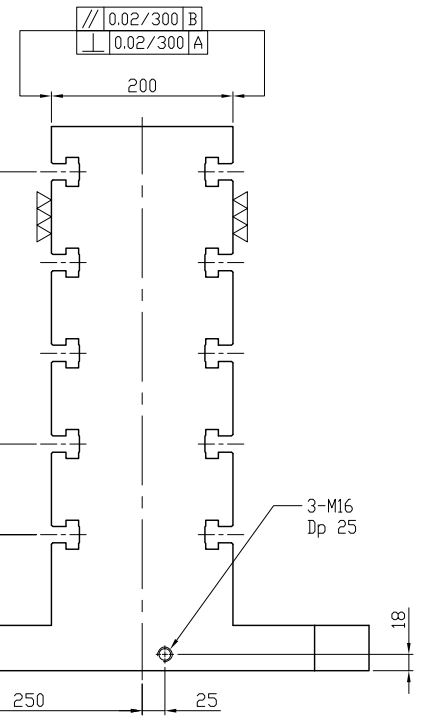
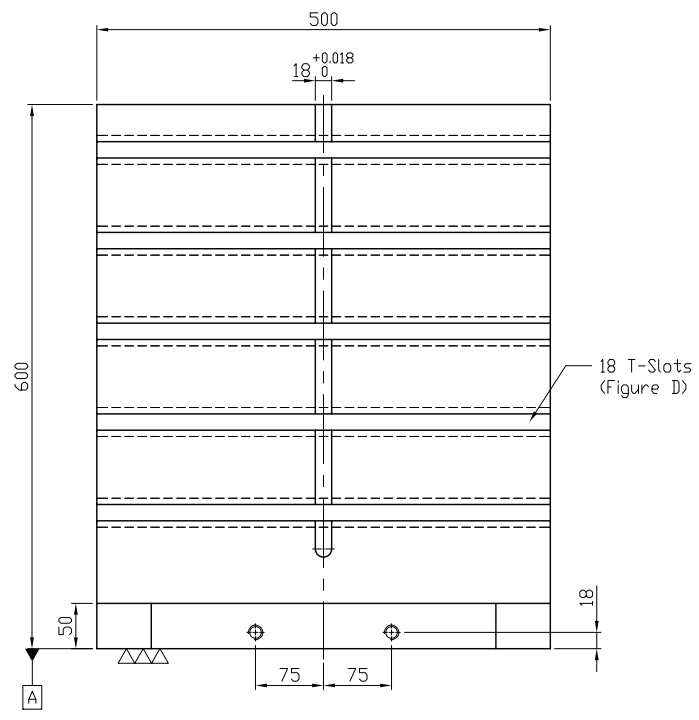


Figure D



NW:280KG

*Edge chamfered C2

Material FC300		Heat treatment Annealing Process		Surface treatment			
Drafted by S.C.H	Checked by	Approved by		Scale 1/1	Date 2011.10.19	Sheet 1/1	Edition A
			TITLE DOUBLE SIDED TOOLING COLUMN				
			DWGNO. BP12-500500-0600-18				