

Figure A

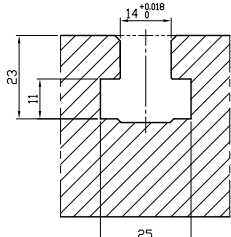
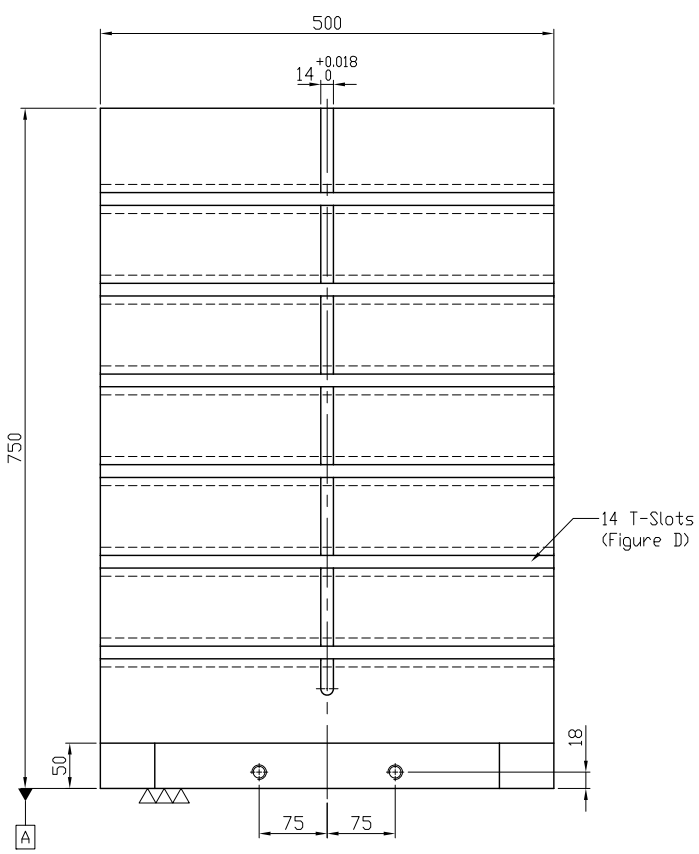
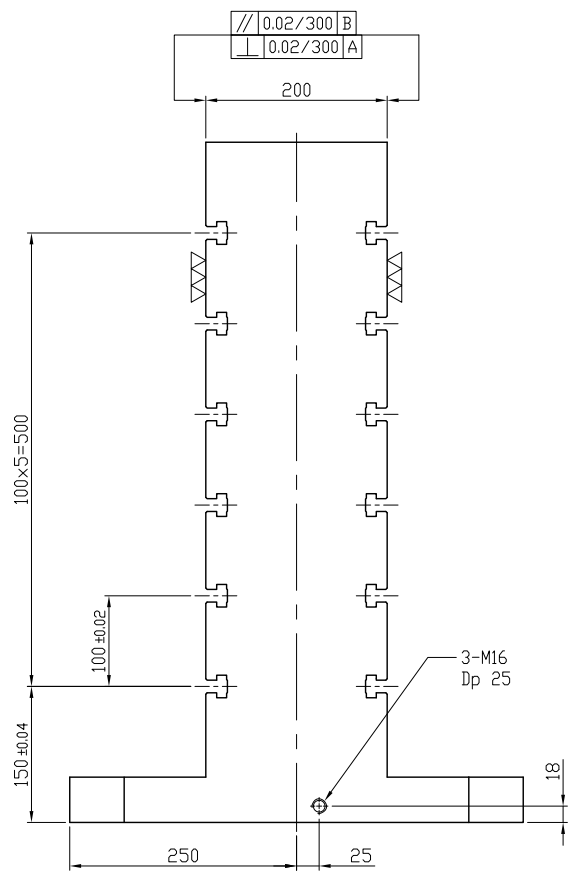


Figure D



14 T-Slots (Figure D)



3-M16 Dp 25

\*Edge chamfered C2

NW:335KG

Material FC300		Heat treatment Annealing Process		Surface treatment			
Drafted by S.C.H	Checked by	Approved by		Scale 1/1	Date 2011.10.19	Sheet 1/1	Edition A
LEAVE INDUSTRIAL CO., LTD.			TITLE DOUBLE SIDED TOOLING COLUMN				
			DWG.ND. BP12-500500-0750-14				