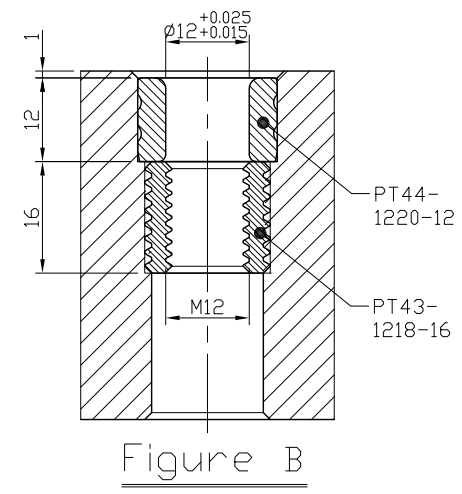
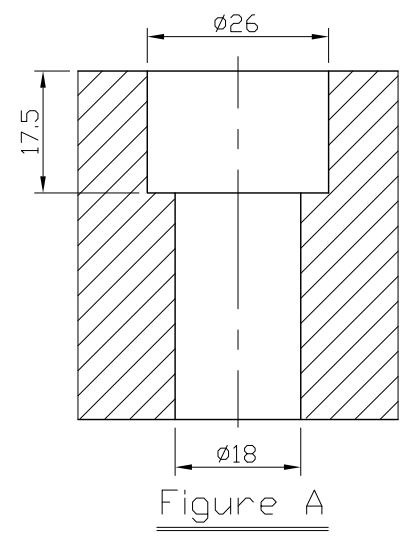


68-Ø12  
MTP hole  
(Figure B)

4-M16  
Cap-Screw hole  
(Figure A)

5-Ø30<sup>+0.020</sup>  
Thru



\*Edge chamfered C2

NW:70KG

|                     |            |                                     |                            |                    |                   |              |  |
|---------------------|------------|-------------------------------------|----------------------------|--------------------|-------------------|--------------|--|
| Material<br>FC300   |            | Heat treatment<br>Annealing Process |                            |                    | Surface treatment |              |  |
| Drafted by<br>S.C.H | Checked by | Approved by                         | Scale<br>1/1               | Date<br>2011.10.19 | Sheet<br>1/1      | Edition<br>A |  |
|                     |            |                                     | TITLE<br>ROUND BASE PLATE  |                    |                   |              |  |
|                     |            |                                     | DWG.NO.<br>BP17-50-0500-12 |                    |                   |              |  |