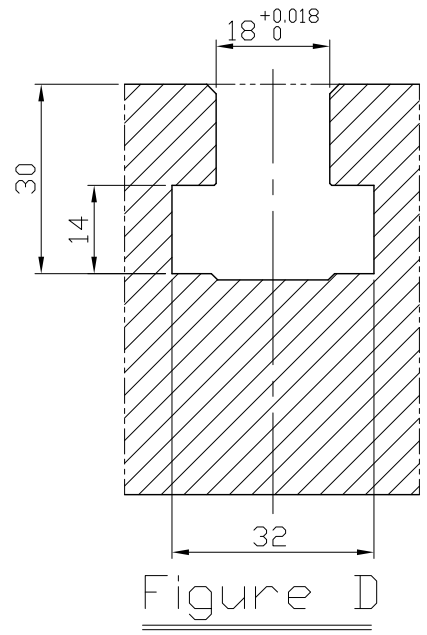
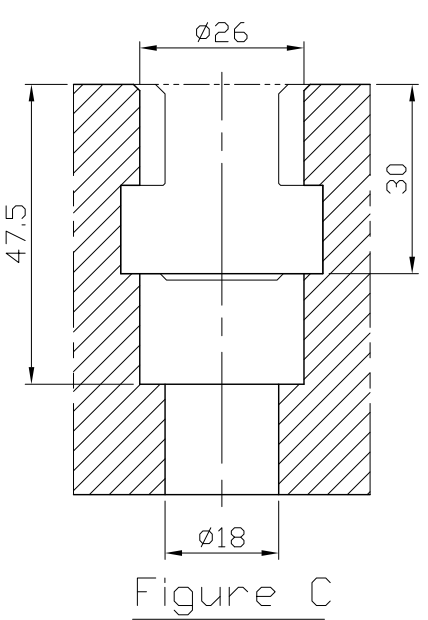
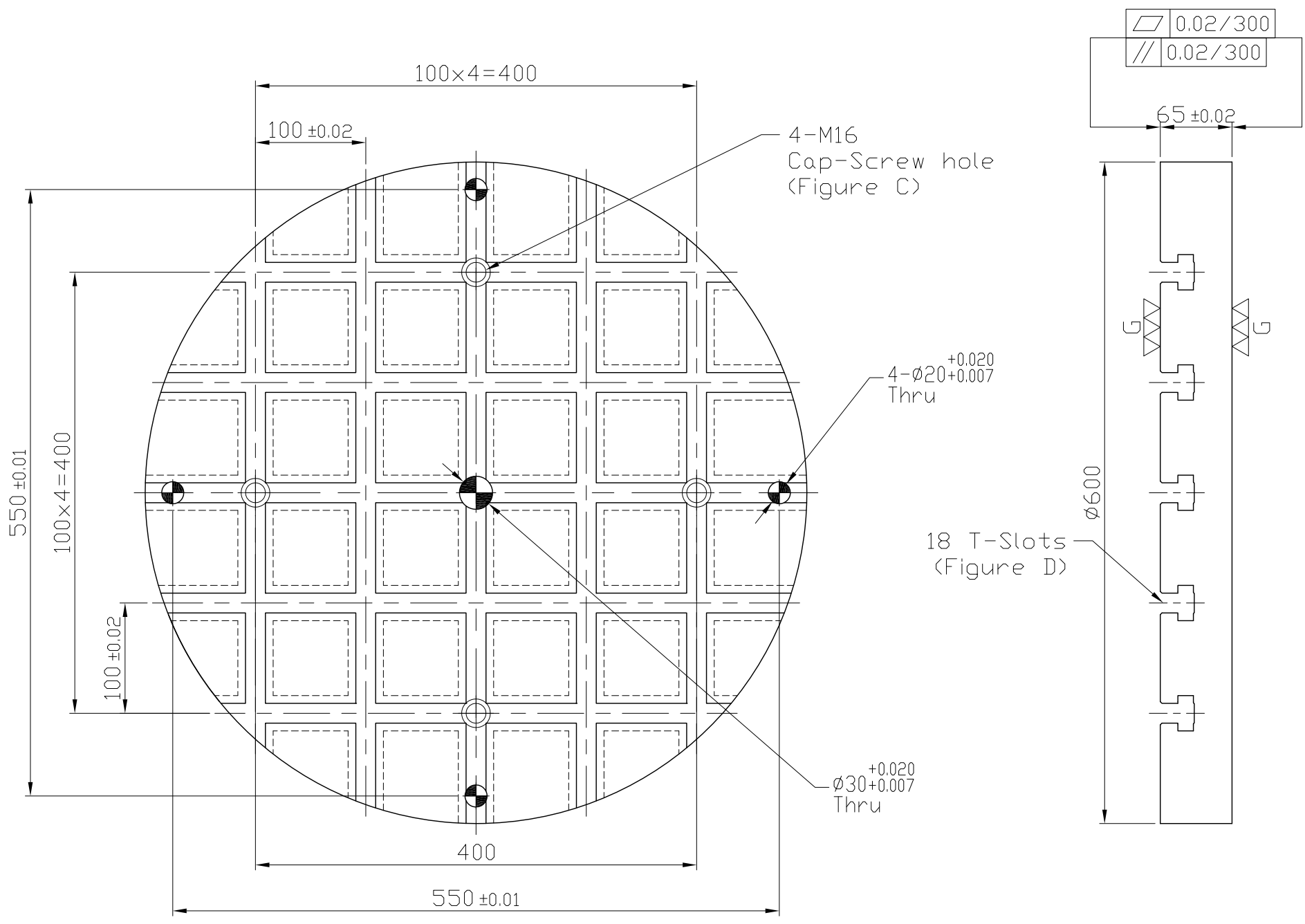
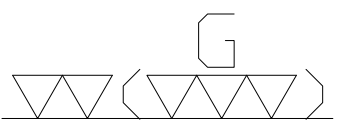


1 2 3 4 5 6 7 8 9 10 11 12 13 14 15 16 17 18 19 20

A B C D E F G H I J K L M N O P Q R S T U V W X Y Z AA AB



NW:110KG

*Edge chamfered C2

Material FC300		Heat treatment Annealing Process			Surface treatment		
Drafted by S.C.H	Checked by	Approved by	Scale 1/1	Date 2011.10.19	Sheet 1/1	Edition A	
			TITLE ROUND BASE PLATE				
			DWG.NO. BP18-65-0600-18				

1 2 3 4 5 6 7 8 9 10 11 12 13 14 15 16 17 18 19 20