

1 2 3 4 5 6 7 8 9 10 11 12 13 14 15 16 17 18 19 20

A
B
C
D
E
F
G
H
I
J
K
L
M
N
O
P
Q
R
S
T
U
V
W
X
Y
Z
AA
AB

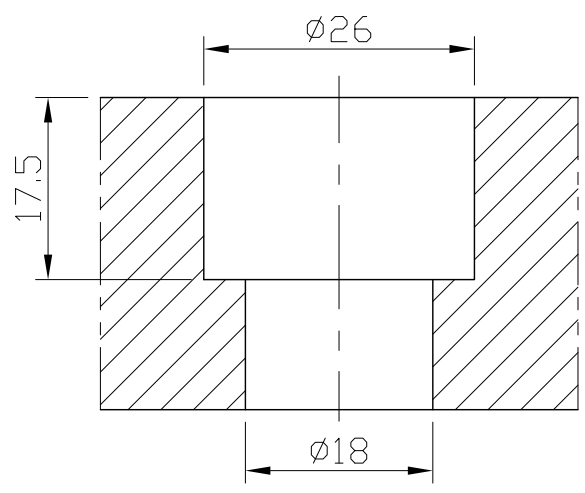
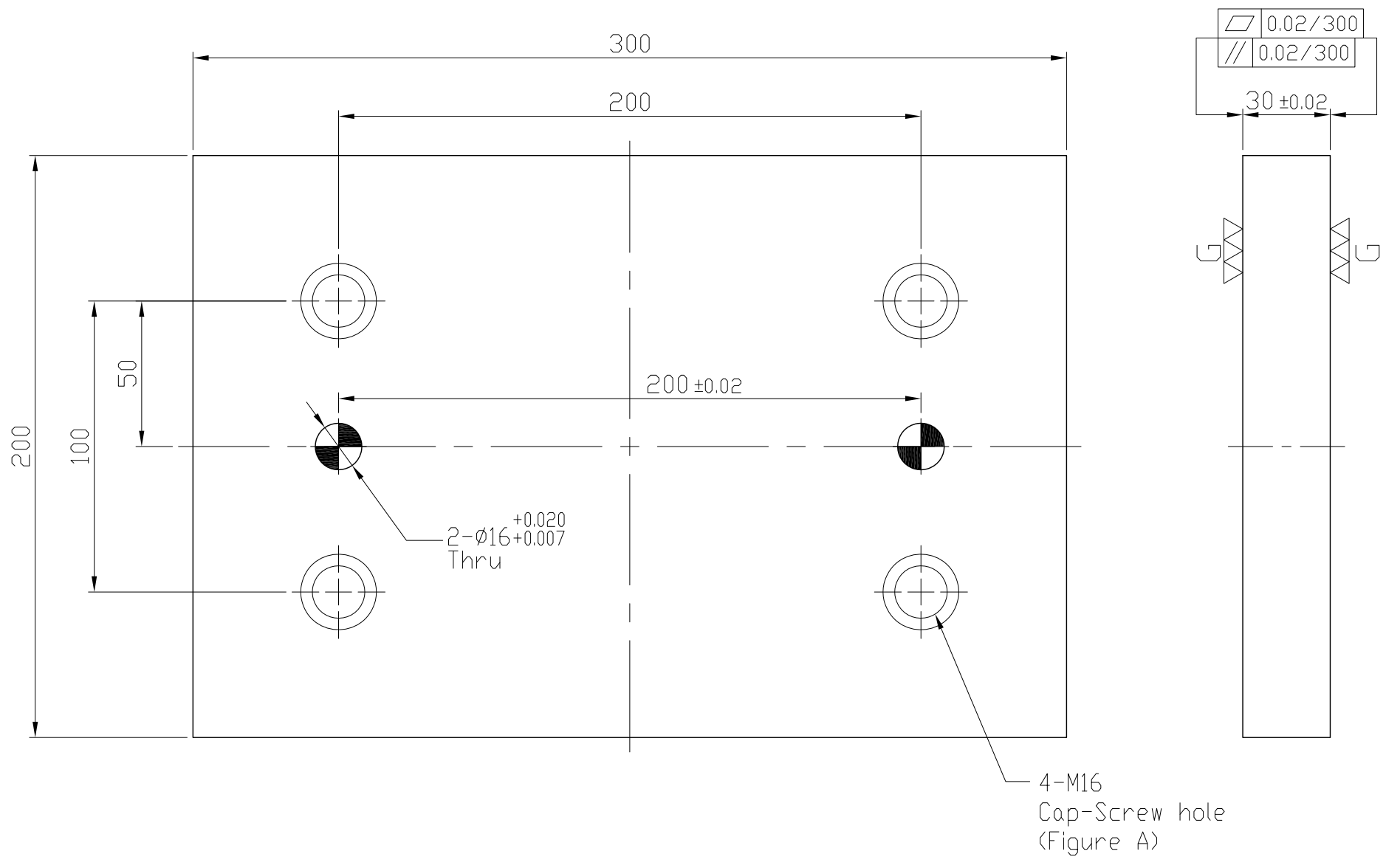
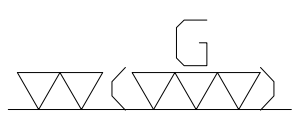


Figure A

*Edge chamfered C2

NW:13.2KG

Material FC300		Heat treatment Annealing Process			Surface treatment		
Drafted by S.C.H	Checked by	Approved by	Scale 1/1	Date 2012.01.12	Sheet 1/1	Edition A	
			TITLE SUB-PLATE				
			DWG.NO. BP19-30200-0300-16				

1 2 3 4 5 6 7 8 9 10 11 12 13 14 15 16 17 18 19 20