

6-M16
Cap-Screw hole
(Figure A)

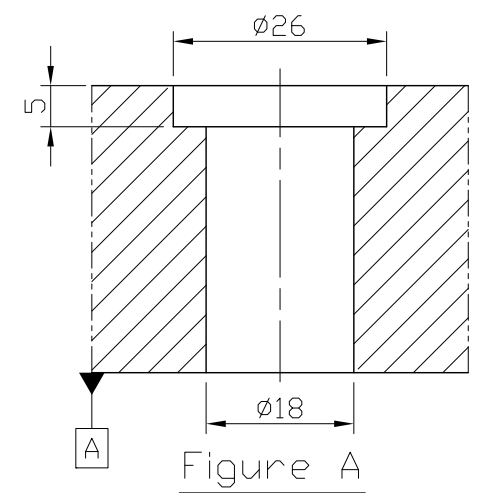
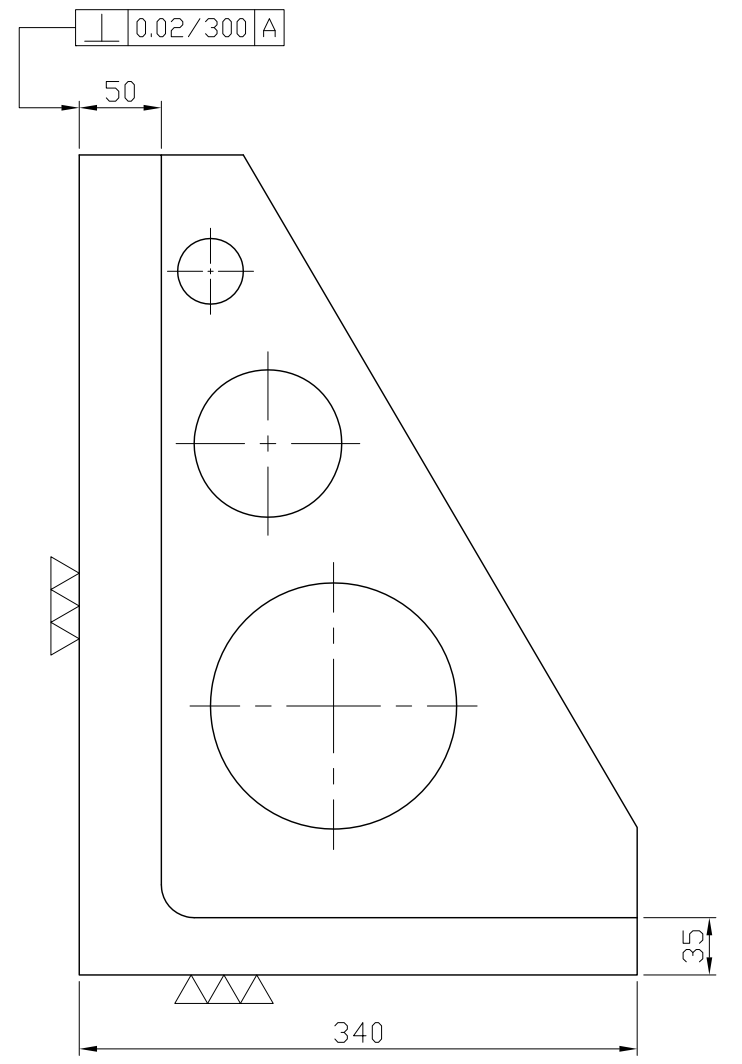
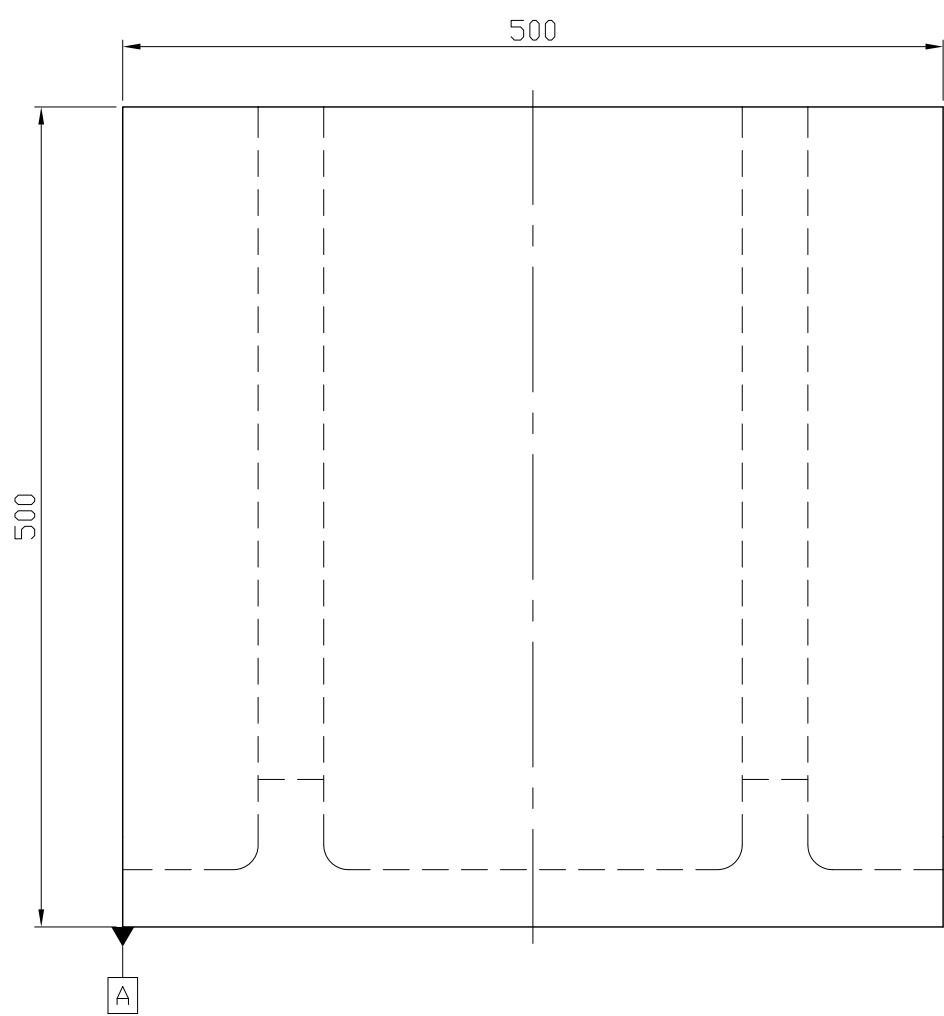


Figure A



*Edge chamfered C2

NW:165KG

Material FC300		Heat treatment Annealing Process			Surface treatment		
Drafted by S.C.H	Checked by	Approved by	Scale 1/1	Date 2011.10.19	Sheet 1/1	Edition A	
			TITLE ANGLE PLATE				
			DWG.NO. BP20-340500-0500				