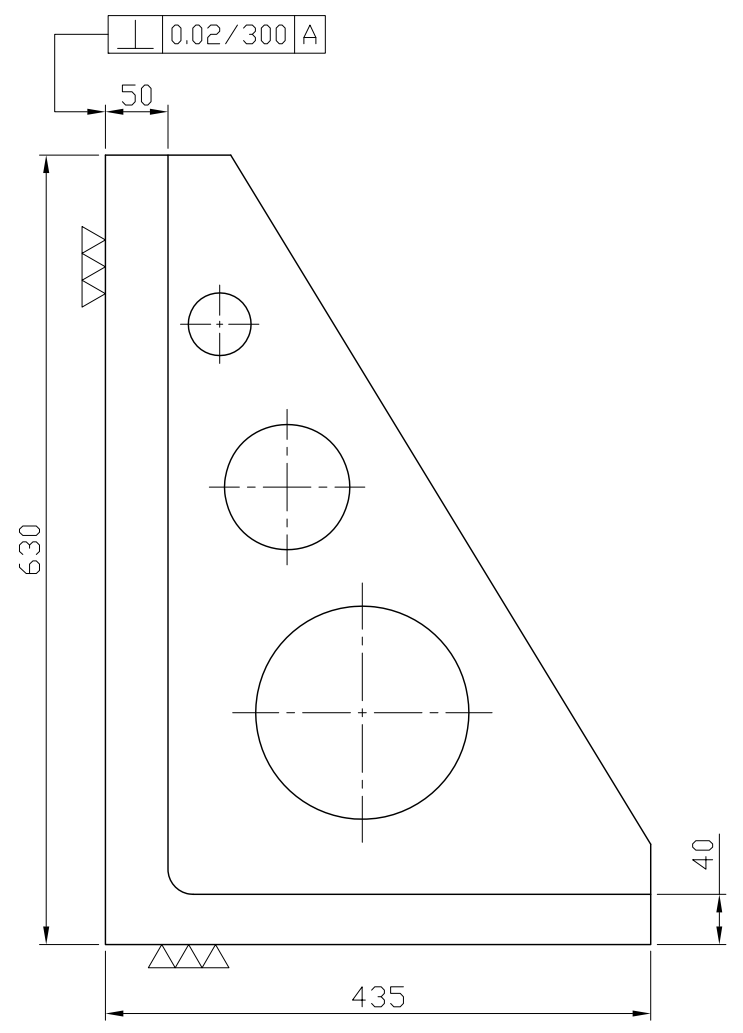


144- $\phi$ 12  
MTP hloe  
(Figure B)



\*Edge chamfered C2

NW:266KG

Material FC300		Heat treatment Annealing Process			Surface treatment			
Drafted by S.C.H	Checked by	Approved by		Scale 1/1	Date 2011.10.19	Sheet 1/1	Edition A	
			TITLE ANGLE PLATE					
			DWG.NO. BP21-435630-0630-12					