

6-M16
Cap-Screw hole
(Figure A)

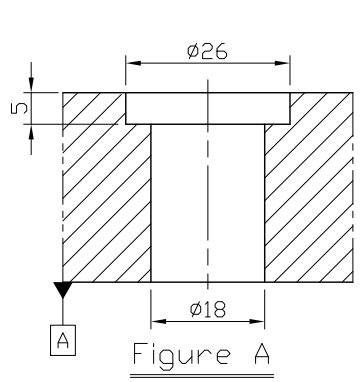


Figure A

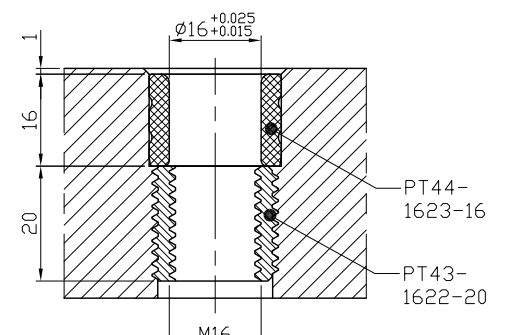
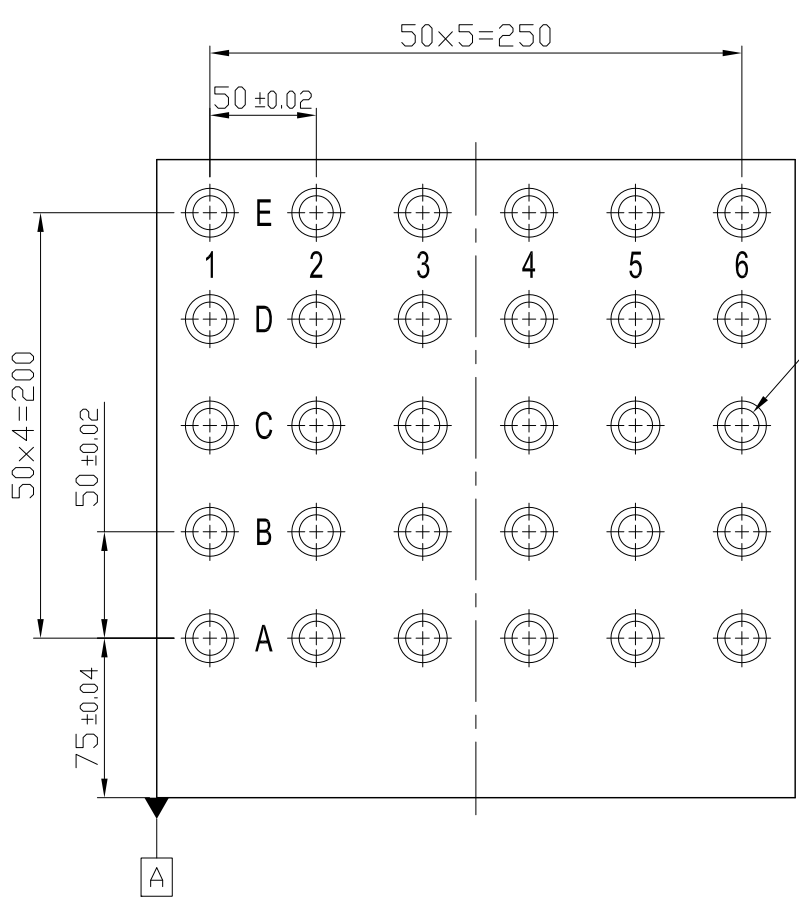
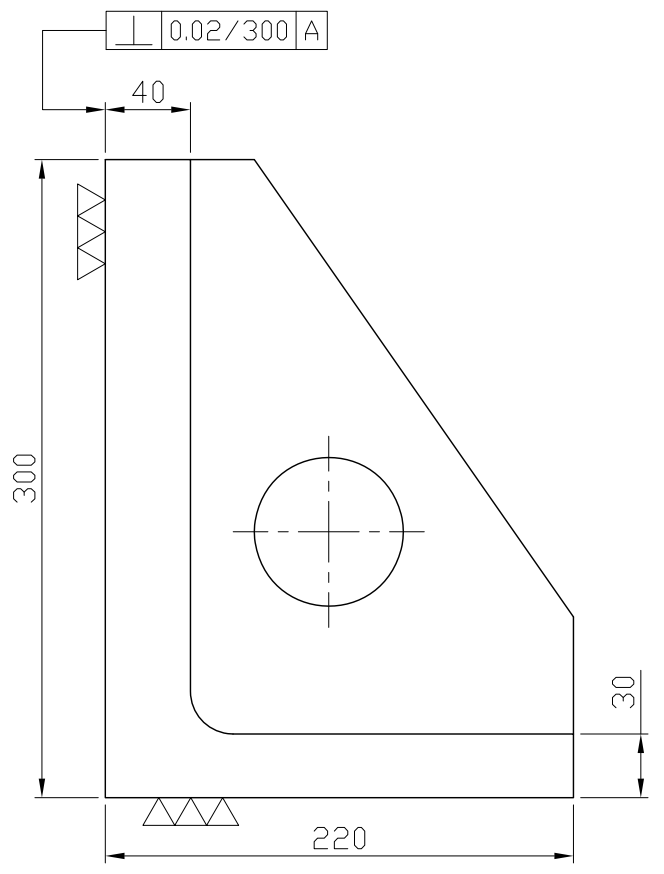


Figure B



30- ϕ 16
MTP hloe
(Figure B)



NW:46KG

*Edge chamfered C2

Material FC300		Heat treatment Annealing Process			Surface treatment		
Drafted by S.C.H	Checked by	Approved by	Scale 1/1	Date 2011.10.19	Sheet 1/1	Edition A	
			TITLE ANGLE PLATE				
			DWG.NO. BP21-220300-0300-16				