

Figure D

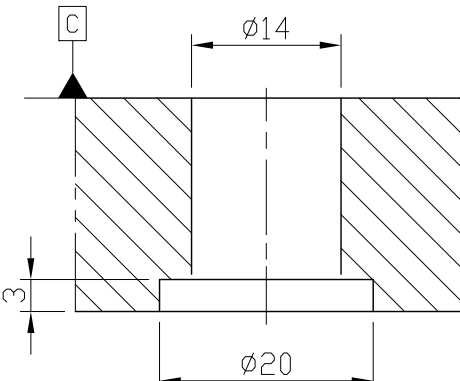
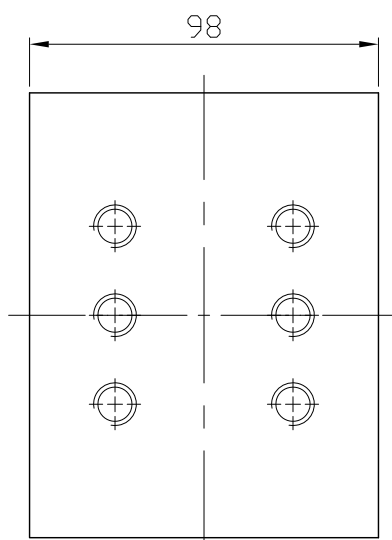
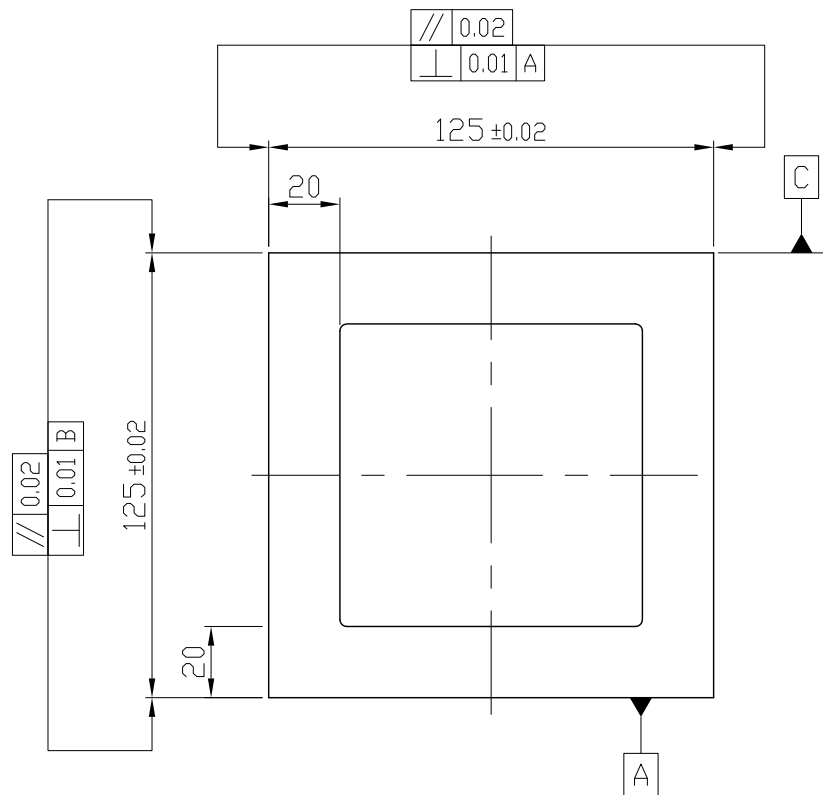
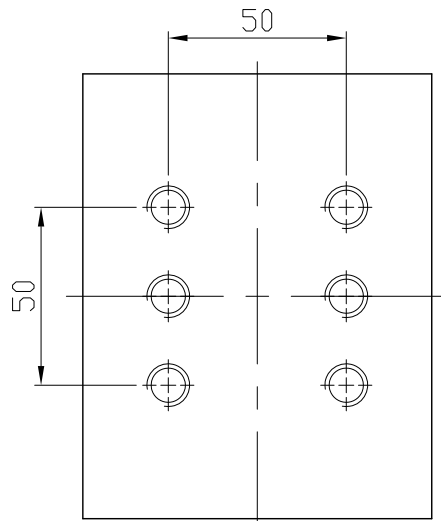
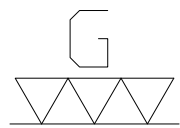
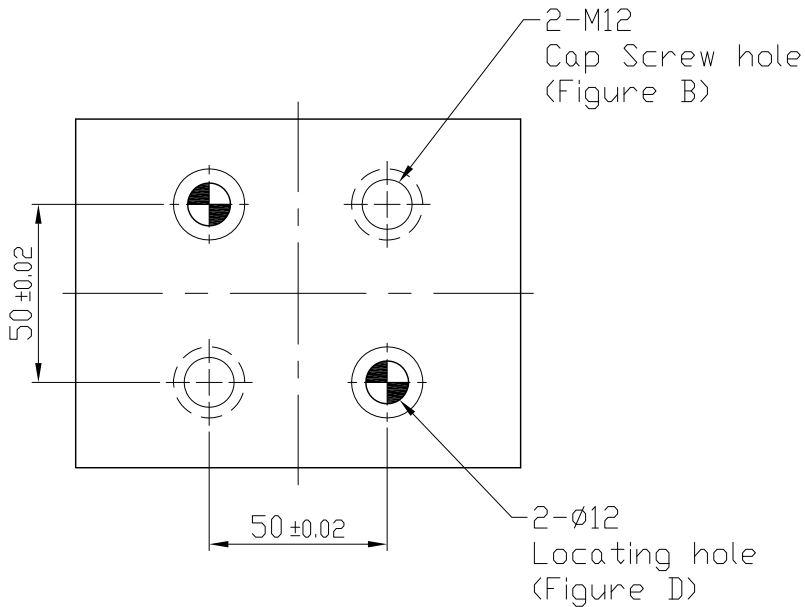
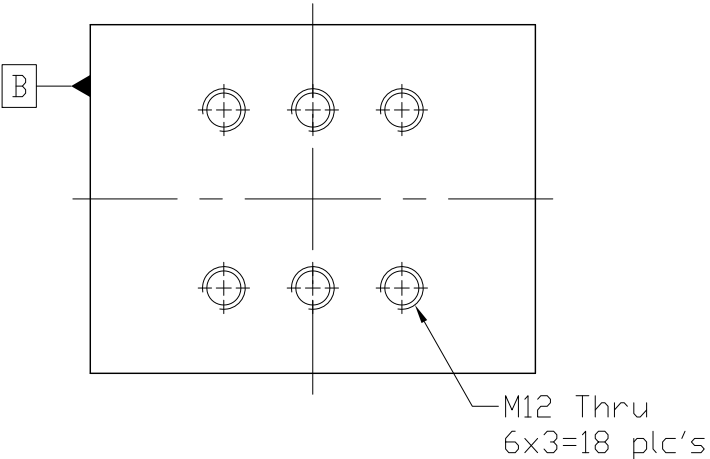


Figure B



*Hole chamfered C1
*Edge chamfered C1

NW:6KG

Material FC300		Heat treatment Annealing Process		Surface treatment		
Drafted by S.C.H	Checked by	Approved by	Scale 1/1	Date 2012.01.07	Sheet 1/1	Edition D
			TITLE RECTANGULAR CAST SECTION			
			DWG.NO. BP28-125098-125-12			