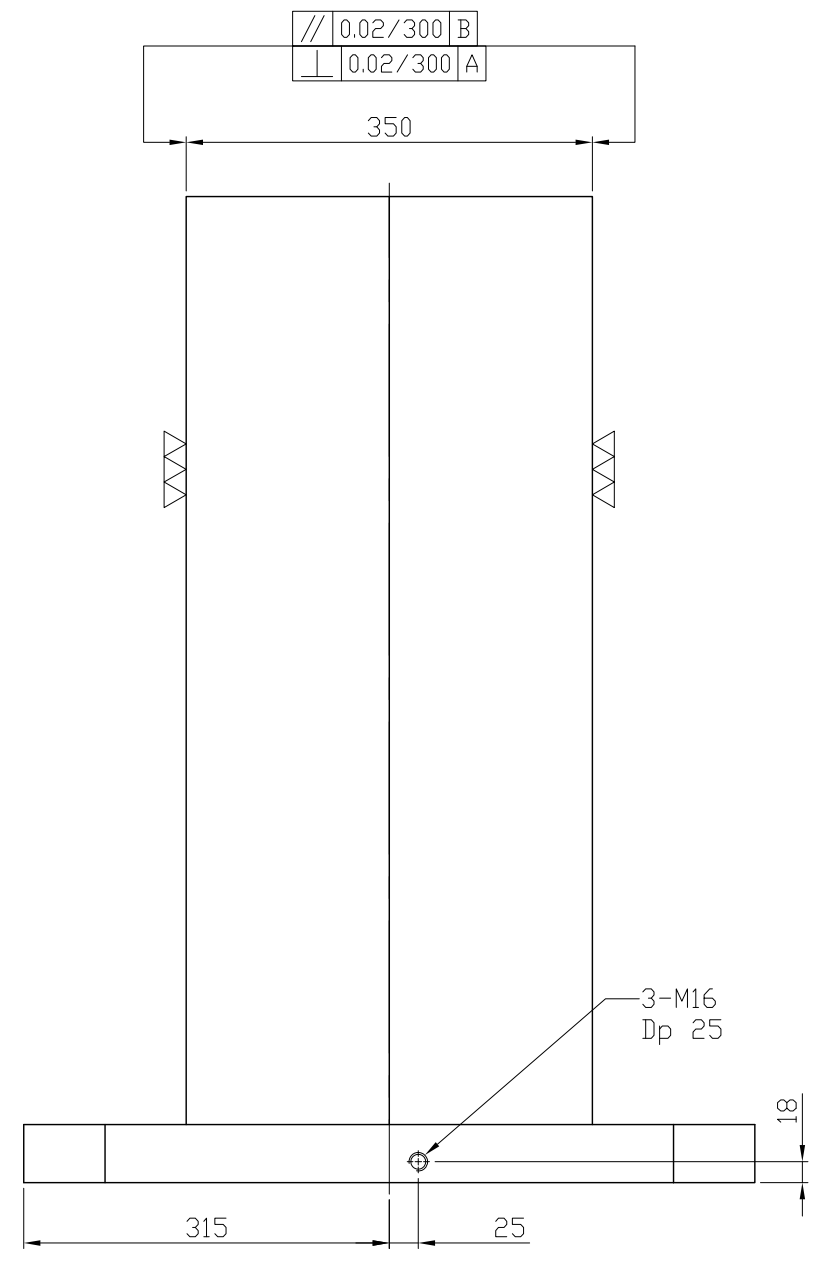
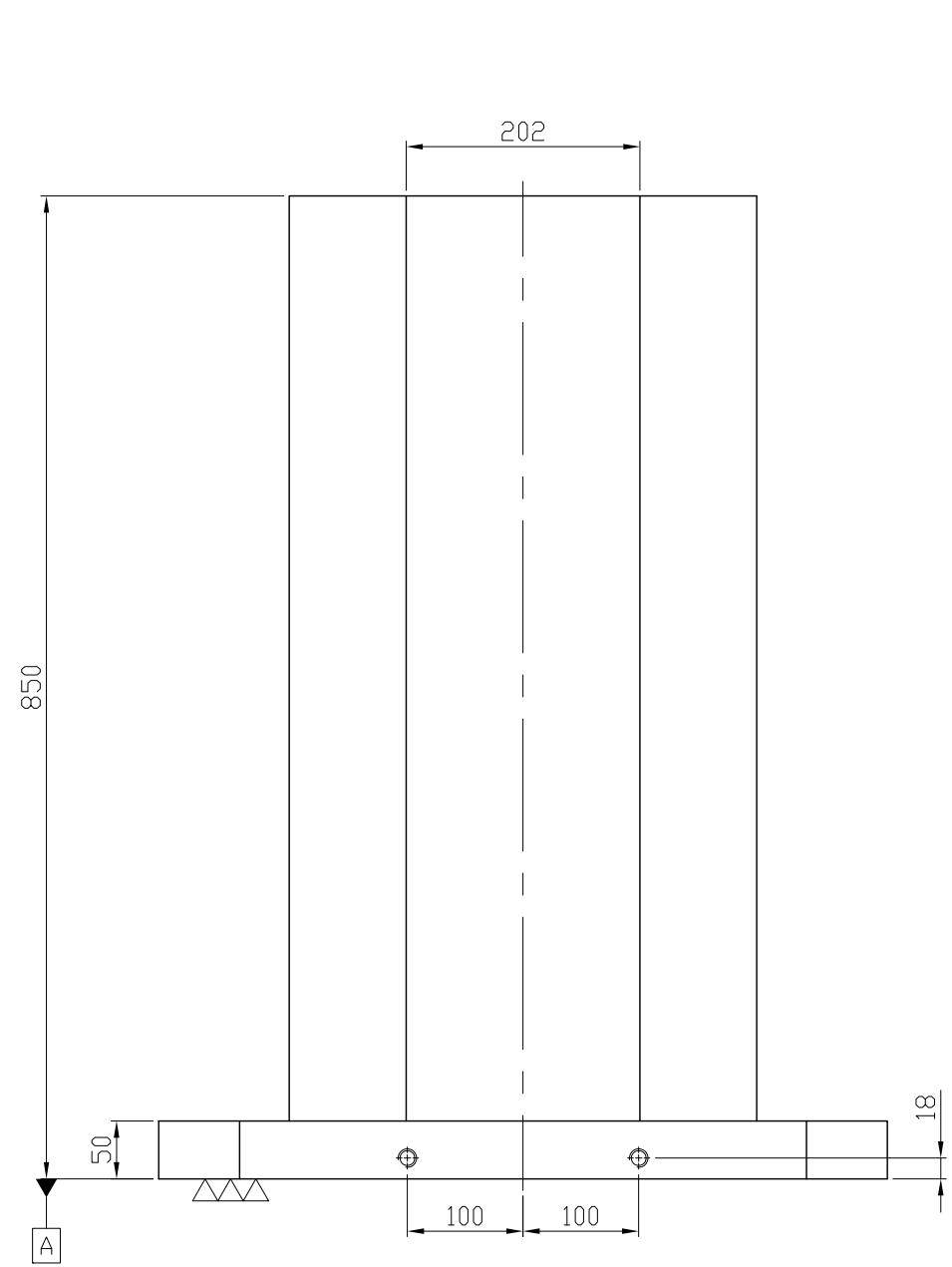


8-M16
Cap-Screw hole
(Figure A)



3-M16
Dp 25

*Edge chamfered C2

NW:408KG

Material FC300		Heat treatment Annealing Process			Surface treatment			
Drafted by S.C.H	Checked by	Approved by		Scale 1/1	Date 2011.12.22	Sheet 1/1	Edition A	
			TITLE HEXAGONAL CUBE					
			DWG.ND. BP31-630630-0850					