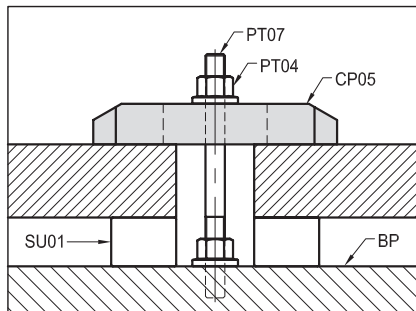
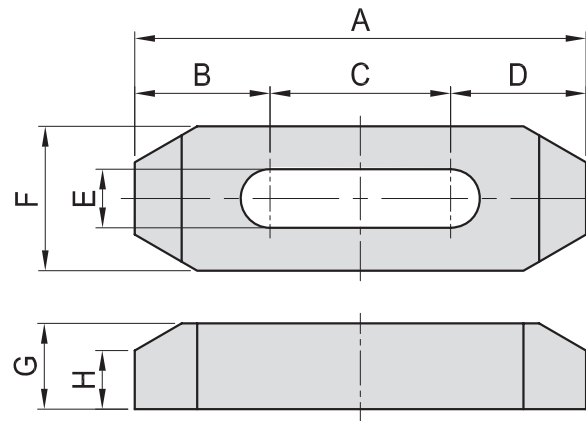


CP05

標準壓板 DOUBLE ENDED CLAMP



- 材質：S45C
- 熱處理：HRC 32°~ 38°
- 表面：染黑處理
- 特長：適用於一般平面壓緊用。



| MODEL NO. | A | B | C | D | E | F | G | H | kg |
|------------|-----|------|----|------|----|----|------|----|------|
| CP05-12065 | 65 | 20.0 | 25 | 20.0 | 13 | 32 | 19 | 13 | 0.22 |
| CP05-12100 | 100 | 30.0 | 40 | 30.0 | | | 0.33 | | |
| CP05-12150 | 150 | 49.5 | 51 | 49.5 | 17 | 38 | 25 | 15 | 0.48 |
| CP05-16080 | 80 | 28.0 | 24 | 28.0 | | | 0.34 | | |
| CP05-16125 | 125 | 42.0 | 41 | 42.0 | | | 0.57 | | |
| CP05-16150 | 150 | 51.0 | 48 | 51.0 | 21 | 38 | 25 | 15 | 0.68 |
| CP05-20100 | 100 | 34.0 | 32 | 34.0 | | | 0.41 | | |
| CP05-20125 | 125 | 42.5 | 40 | 42.5 | 26 | 50 | 25 | 15 | 0.62 |
| CP05-20150 | 150 | 51.0 | 48 | 51.0 | | | 0.82 | | |
| CP05-24150 | 150 | 51.0 | 48 | 51.0 | | | 1.14 | | |