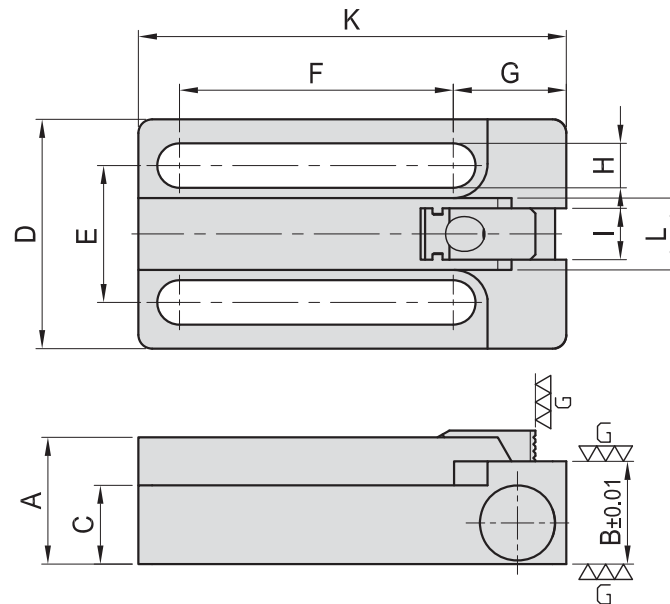


CP31

夾持座 CLAMPING PARTS



MODEL NO.	A	B	C	D	E	F	G	H	I	K	L	kg
CP31-1240	37	30	23	67	40	80	33.0	13.0	15	125	21	1.36
CP31-1250				77	50	85	33.0	13.0		130		1.71
CP31-1650				77	50	85	34.5	16.5		130		1.54

BP

BPA

BC

CP

SU

PT