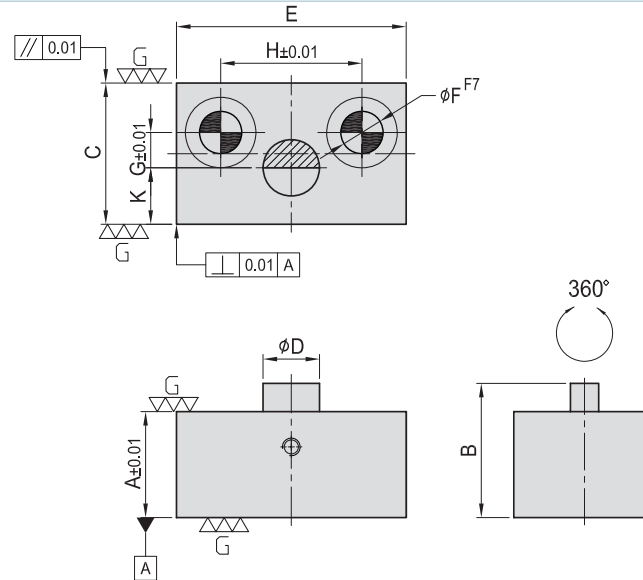


# CP37

## 基準定位件 POSITIONING EDGE SUPPORT



BP

BPA

BC

CP

SU

PT

MODEL NO.	A	B	C	D	E	F	G	H	K	kg
CP37-1240	30	38	40	16	65	12	10	40	16	0.60
CP37-1250			40		75	12		50	15	0.60
CP37-1650			45		80	16		50	18	0.65