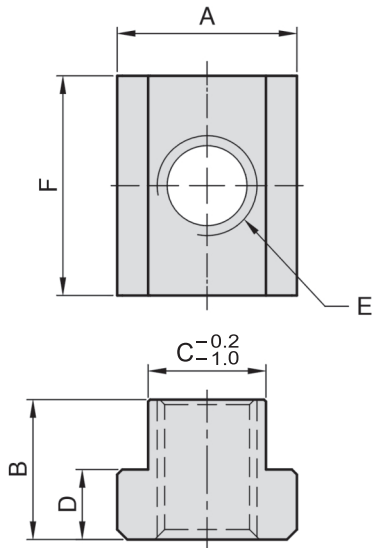
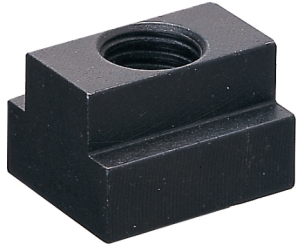


PT06

T型螺帽 T-SLOT NUT



- 材質：S45C
- 熱處理：HRC 30°~35°
- 表面：染黑處理

MODEL NO.	A	B	C	D	E	F	kg
PT06-1008	15.0	13.0	10.0	6.0	M 8	22	0.020
PT06-1210	18.0	14.0	12.0	7.0	M10		0.022
PT06-1410	22.0	16.0	14.0	8.0	M10	28	0.050
PT06-1412					M12		0.048
PT06-1612	25.0	16.0	16.0	8.0	M12	28	0.060
PT06-1614					M14		0.057
PT06-1810	28.0	20.0	18.0	10.5	M10	30	0.090
PT06-1812					M12		
PT06-1814	28.0	20.0		10.5	M14	30	0.090
PT06-1816					M16		0.085
PT06-2016	32.0	19.0	20.0	11.9	M16	30	0.098
PT06-2018	32.0	25.0		14.0	M18	38	0.110
PT06-2218	36.0	25.0	22.0	14.0	M18	38	0.178
PT06-2220					M20		0.190
PT06-2418	38.0	25.0	24.0	14.0	M18	38	0.184
PT06-2420					M20		0.250
PT06-2620	41.3	25.0	26.0	15.8	M20	44	0.250
PT06-2622					M22		0.240
PT06-2822	44.0	28.5	28.0	17.5	M22	50	0.330
PT06-2824					M24		0.312