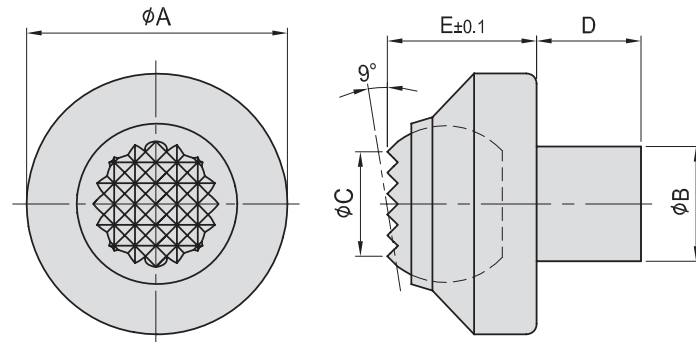


PT37

齒面動向鋼珠支持件 SWIVEL REST TIP



- 材質：本體 S45C，鋼珠 SUJ2
- 硬度：本體 HRC 28°~32°
鋼珠 HRC 62°



MODEL NO.	A	B	C	D	E	kg
PT37-1116	25	11	10	10	14.3	0.03
PT37-1118	30	11	12	10	18.0	0.04