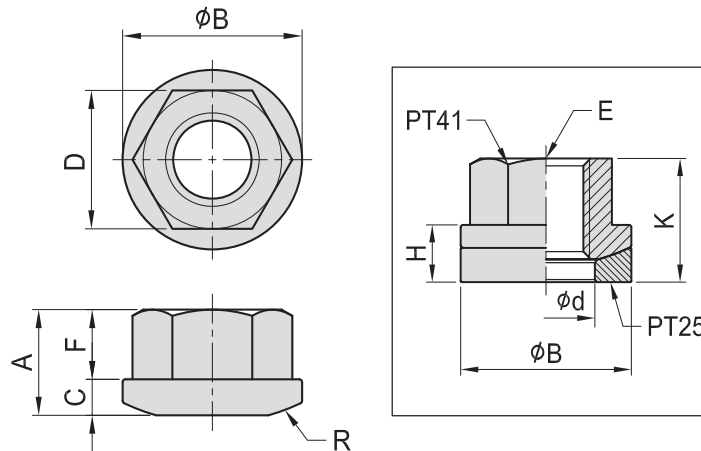


PT41

球面螺帽 SWIVEL FLANGE NUTS



- 材質：S45C
- 硬度：HRC 32°~35°

| MODEL NO. | A | B | C | D | d | E | F | H | K | R | kg |
|-----------|------|----|-----|----|----|-----|------|----|------|----|-------|
| PT41-0813 | 12.0 | 19 | 3.0 | 13 | 10 | M8 | 7.8 | 7 | 15.0 | 30 | 0.021 |
| PT41-1017 | 13.0 | 22 | | 17 | 12 | M10 | 8.4 | 8 | 16.5 | | 0.032 |
| PT41-1219 | 14.3 | 26 | 4.0 | 19 | 15 | M12 | 9.0 | 10 | 19.0 | 32 | 0.046 |
| PT41-1422 | 17.5 | 28 | 4.5 | 22 | 16 | M14 | 11.4 | 11 | 22.0 | 40 | 0.066 |
| PT41-1624 | 20.0 | 32 | | 24 | 19 | M16 | 12.8 | | 23.8 | | 0.103 |
| PT41-1827 | 20.6 | 35 | | 27 | 20 | M18 | 13.6 | 12 | 25.5 | | 0.106 |
| PT41-2030 | 25.0 | 40 | 6.0 | 30 | 23 | M20 | 16.6 | 14 | 31.0 | 48 | 0.183 |
| PT41-2232 | 25.4 | 45 | | 32 | 26 | M22 | 16.9 | 15 | 31.5 | 70 | 0.210 |
| PT41-2436 | 28.0 | 50 | | 36 | 28 | M24 | 18.7 | | 33.5 | | 0.270 |

BP

BPA

BC

CP

SU

PT