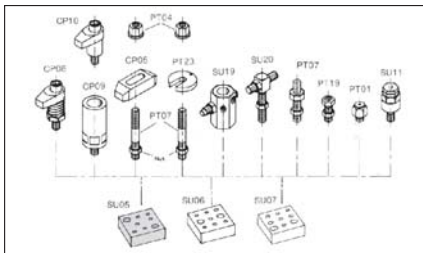
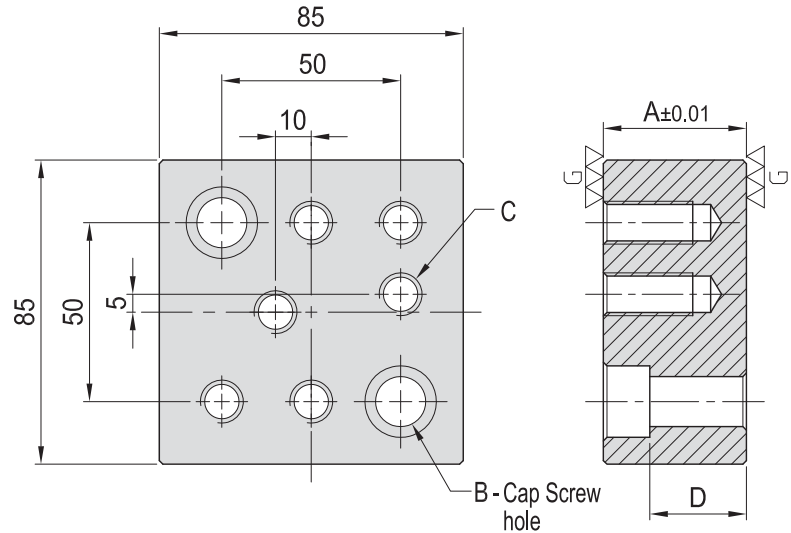


# SU05

## SQUARE ADAPTER



- Material : S45C, (JIS) / CK45 (DIN)
- Heat treated : HRC 40°.
- Surface finish : Black Oxide.
- Application : Multipurpose adapter for a variety of stops & clamps.



MODEL NO.	A	B	C	D	kg
SU05-1230*	30	M12	M12	17	1.50
SU05-1240	40			27	2.00
SU05-1250	50			37	2.25
SU05-1630*	30	M16	M16	12	1.30
SU05-1640	40			22	1.80
SU05-1650	50			32	2.22