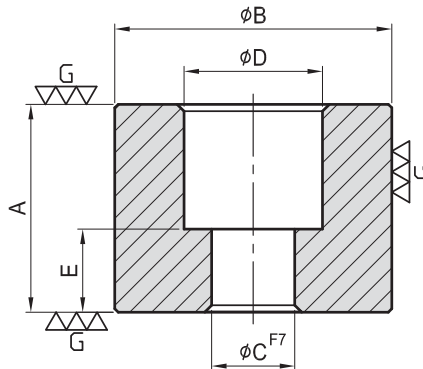
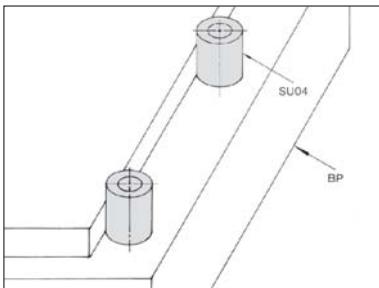


# SU04

## LOCATING CYLINDER



- Material : S45C(JIS) / CK45(DIN)
- Heat treated : HRC 40°.
- Surface finish : Black Oxide.
- Application : Support and locate with one part.



| MODEL NO. | A  | B  | C  | D  | E  | kg   |
|-----------|----|----|----|----|----|------|
| SU04-1230 | 30 | 40 | 12 | 20 | 12 | 0.24 |
| SU04-1240 | 40 |    |    |    |    | 0.32 |
| SU04-1250 | 50 |    |    |    |    | 0.40 |
| SU04-1630 | 30 | 50 | 16 | 26 | 12 | 0.37 |
| SU04-1640 | 40 |    |    |    | 15 | 0.49 |
| SU04-1650 | 50 |    |    |    | 15 | 0.60 |

SVF

ALV

OK-  
VISE

OTHER

Column  
for  
Technical  
Data