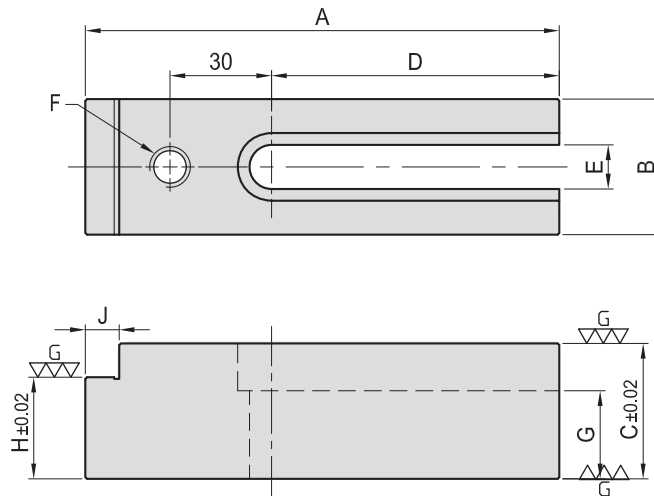
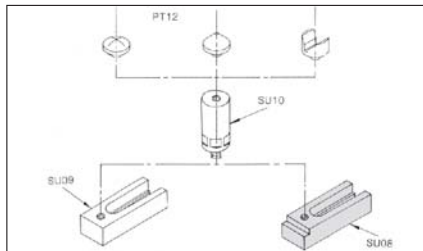


SU08

EXTENSION SUPPORT



- Material : S45C(JIS) / CK45(DIN)
- Heat treated : HRC 40°.
- Surface finish : Black Oxide.
- Application : Gives extra flexibility in the placement of stops.



MODEL NO.	A	B	C	D	E	F	G	H	J	kg
SU08-12140-30	140	40	40	85	13	M12	26	30	10	1.3
SU08-12140-40			50				36	40		1.6
SU08-16140-30	140	50	40	85	17	M16	22	30	10	1.5
SU08-16140-40			50				32	40		1.9

SVF

ALV

OK-
VISE

OTHER

Column
for
Technical
Data