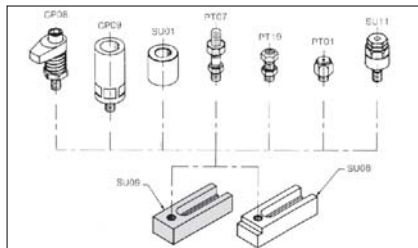
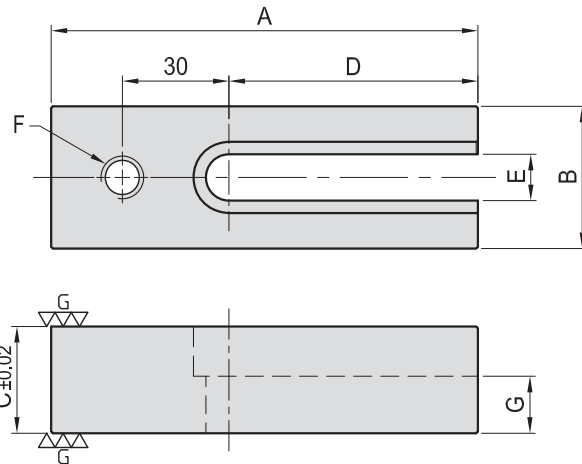


# SU09

## EXTENSION SUPPORT



- Material : S45C(JIS) / CK45(DIN)
- Heat treated : HRC 40°.
- Surface finish : Black Oxide.
- Application : Multipurpose adapter for a variety of stops & clamps.



MODEL NO.	A	B	C	D	E	F	G	kg
SU09-12120-30	120	40	30	70	13	M12	16	0.85
SU09-12120-40			40				26	1.10
SU09-16140-30	140	50	30	90	17	M16	12	1.14
SU09-16140-40			40				22	1.52