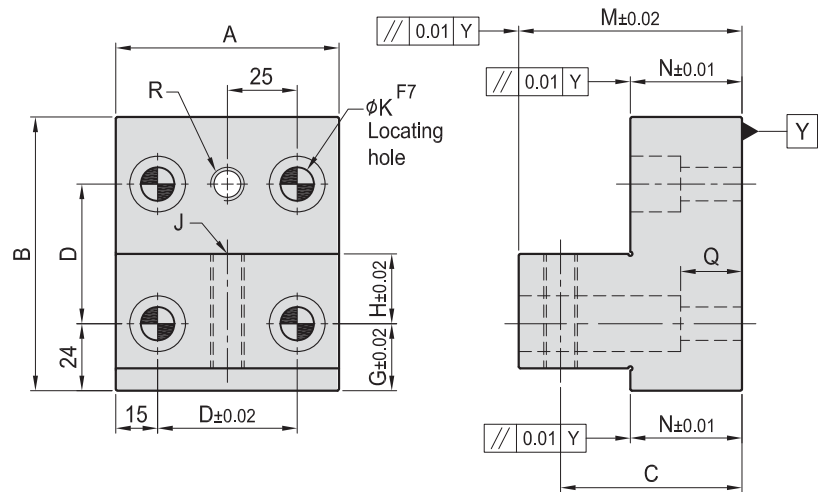
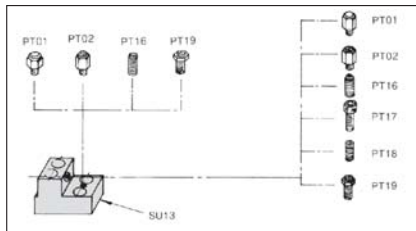


# SU13

## POSITIONING EDGE SUPPORT



- Material : S45C(JIS) / CK45(DIN)
- Heat treated : HRC 45°.
- Application : Multipurpose adapter for a variety of stops & clamps.



MODEL NO.	A	B	C	D	G	H	J	K	M	N	Q	R	kg
SU13-1240	80	98	65	50	16	25	M12	12	80	40	22	M12	3.00
SU13-1640	80	98	65	50	16	25	M16	16	80	40	16	M16	2.64