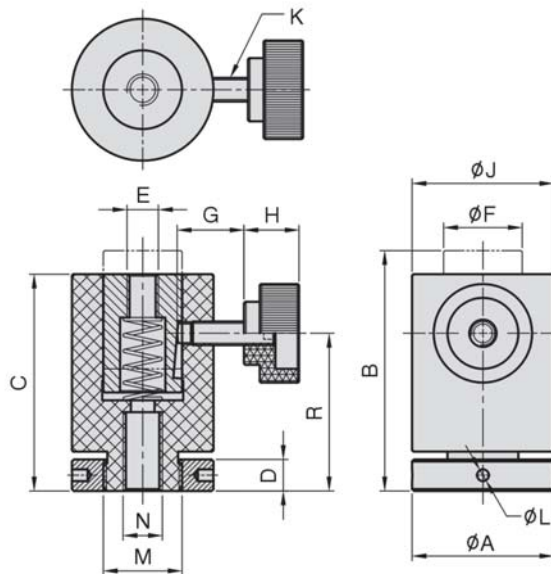
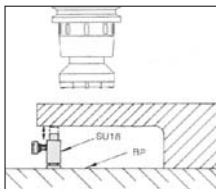


SU18

SUPPORT JACK



- Material : S45C(JIS) / CK45(DIN)
 - Heat treated : HRC 38°~42°.
 - Surface finish : Black Oxide.
 - Application : Designed to support over hanging workpiece, spring loaded & adjustable.
 - Features : supporting height can be adjusted by loosening the adjusting screw.
- Shock resistance during machining operation.



MODEL NO	A	B	C	D	E	F	G	H	J	K	L	M	N	R	kg
SU18-3655	36	61	55	8	M 8	20	17	14	36	M 6	3	M20	M10	40	0.43
SU18-4270	42	79	70	9	M10	25	25	17	42	M 8	4	M24	M12	50	0.73
SU18-5085	50	100	87	10	M12	30	27	20	50	M10	5	M30	M16	62	1.30