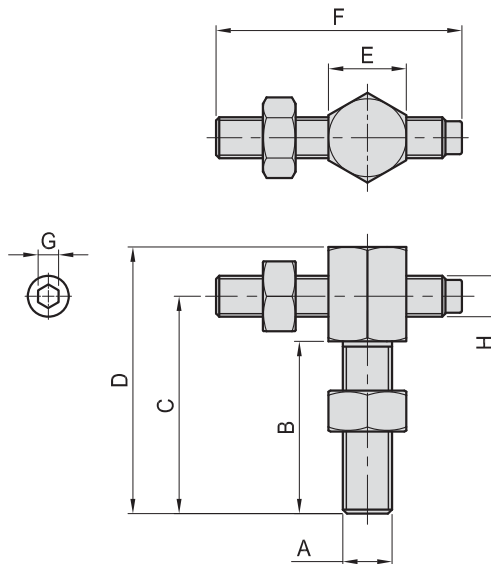
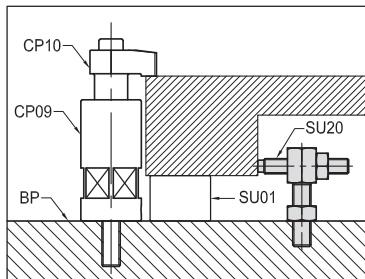


SU20

MINI ADJUSTABLE STOP



- Material : S45C (JIS) / CK45(DIN)
- Heat treated : HRC 32°~38°.
- Surface finish : Black Oxide.
- Application : Multipurpose work piece positioning.



MODEL NO.	A	B	C	D	E	F	G	H	kg
SU20-1260	M12	42	53	65	19	60	5	M10	0.13
SU20-1680	M16	45	58	70	24	80	6	M12	0.24

SVF

ALV

OK-
VISE

OTHER

Column
for
Technical
Data