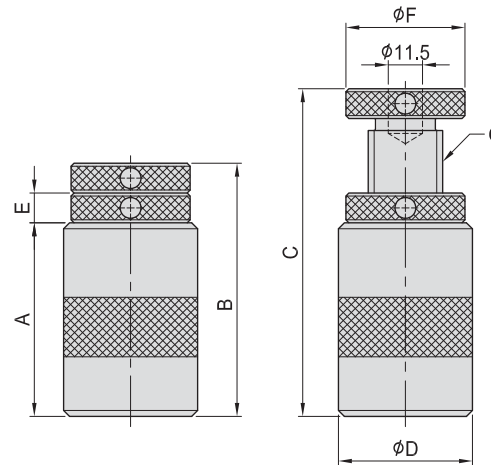


SU23

LARGE SUPPORT JACK



- Material : S45C(JIS), heat treated
- Surface finish : Black Oxide.

MODEL NO.	A	B~C	D	E	F	G	kg	KN
SU23-S0400	270	285~400	70	15	60	Tr40x4	8.0	260
SU23-S0500	370	385~500					10.5	
SU23-S0600	470	485~600	70	15	60	Tr40x4	12.0	260
SU23-S0700	570	585~700					14.0	
SU23-S0800	670	685~800	70	15	60	Tr40x4	15.0	260
SU23-S0900	770	785~900					16.5	
SU23-S1000	870	885~1000					18.0	

BP

BPA

BC

CP

SU

PT