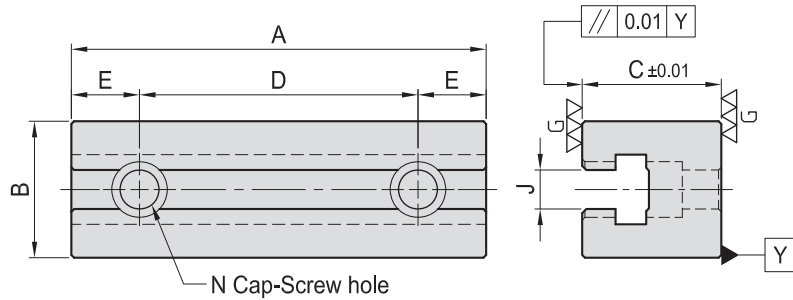


# SU28

## T SLOT PARALLEL BLOCK



- Material : SCM420
- Heat treated : HRC 60°.
- Surface finish : Black Oxide.

MODEL NO.	A	B	C	D	E	N	J	kg
SU28-5050150-12	149	49	50	100	24.5	M12	14	1.4
SU28-5050200-12	199			150				2.3
SU28-6060150-16	149	59	60	100	24.5	M16	18	2.3
SU28-6060200-16	199			150				3.5

SVF

ALV

OK-  
VISE

OTHER

Column  
for  
Technical  
Data