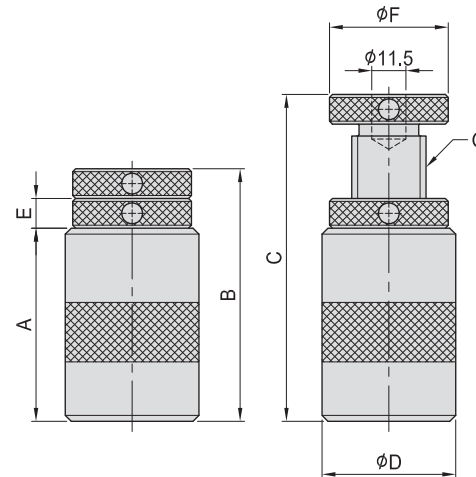


# SU21

## MAGNETIC SUPPORT JACK



- Material : S45C(JIS), heat treated
- Surface finish : Black Oxide.

MODEL NO.	A	B~C	D	E	F	G	kg	KN
SU21-S050	24	40~50	45	8	35	Tr18x2	0.36	80
SU21-S065	34	50~65					0.46	
SU21-S085	49	65~85	45	8	35	Tr20x3	0.63	80
SU21-S110	63	85~110	45	12	40	Tr25x4	0.82	150
SU21-S165	85	110~165	50		45		1.35	
SU21-S265	135	165~265	60	15	50	Tr32x5	3.00	200
SU21-S300	170	265~300					3.50	