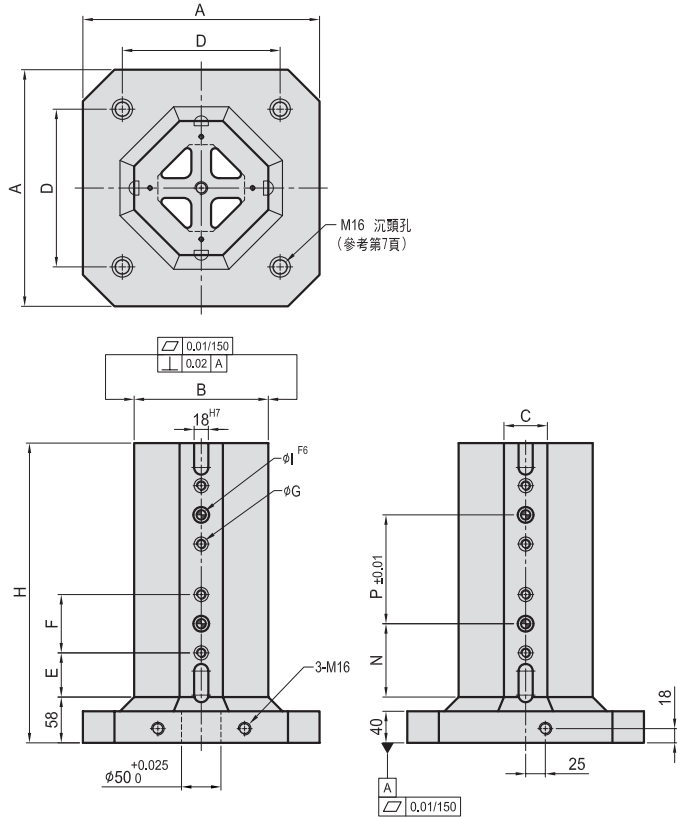


# SVF-CB M/C 八面基座



### 訂購編號

MODEL NO.	A	B	C	D	E	F	G	H	I	N	P	Mounting holes	kg
SVF-5030-300CB8-80	300	170	55	200	32	80	M12	360	12	72	160	4	61
SVF-5030-300CB8-100					52	100				102	100		
SVF-5030-320CB8-80	320	170	55	200	32	80	M12	360	12	72	160	4	65
SVF-5030-320CB8-100					52	100				102	100		
SVF-5040-300CB8-80	300	170	55	200	42	80	M12	460	12	82	240	4	73
SVF-5040-300CB8-100					52	100				102	200		
SVF-5040-320CB8-80	320	170	55	200	42	80	M12	460	12	82	240	4	76
SVF-5040-320CB8-100					52	100				102	200		
SVF-5050-400CB8-80	400	200	55	320	52	80	M12	560	12	92	320	4	118
SVF-5050-400CB8-100						100				102	300		
SVF-5050-500CB8-80	500	250	55	400	52	80	M12	560	12	92	320	8	163
SVF-5050-500CB8-100						100				102	300		
SVF-5060-400CB8-80	400	200	55	320	62	80	M12	660	12	102	400	4	132
SVF-5060-400CB8-100					52	100				102	400		
SVF-5060-500CB8-80	500	250	55	400	62	80	M12	660	12	102	400	8	181
SVF-5060-500CB8-100					52	100				102	400		
SVF-5070-400CB8-100	400	200	55	320	52	100	M12	760	12	102	500	4	188
SVF-5070-500CB8-80	500	250	55	400	72	80	M12	760	12	112	480	8	199
SVF-5070-500CB8-100					52	100				102	500		
SVF-7240-300CB8-100	300	170	75	200	52	100	M16	460	16	102	200	4	76
SVF-7240-320CB8-100	320												79
SVF-7250-400CB8-100	400	200	75	320	52	100	M16	560	16	102	300	4	117
SVF-7250-500CB8-100	500			400								8	167
SVF-7260-400CB8-100	400	200	75	320	52	100	M16	660	16	102	400	4	130
SVF-7260-500CB8-100	500			400								8	185
SVF-7270-400CB8-100	400	200	75	320	52	100	M16	760	16	102	500	4	186
SVF-7270-500CB8-100	500			400								8	204
SVF-7270-630CB8-100	630	300	75	500	52	100	M16	760	16	102	500	8	292
SVF-10050-400CB8-100	400	200	105	320	52	100	M16	560	16	102	300	4	130
SVF-10050-500CB8-100	500			400								8	172
SVF-10060-500CB8-100	500	250	105	400	52	100	M16	660	16	102	400	8	191
SVF-10060-630CB8-100	630			500									256
SVF-10070-500CB8-100	500	250	105	400	52	100	M16	760	16	102	500	8	211
SVF-10070-630CB8-100	630			500									279

(如需追加零件可單獨訂購)

BP

BPA

BC

CP

SU

PT

SVF

ALV

OK-  
VISE

MITEE-  
BITE

JER-  
GENS

其他類

技術  
資料