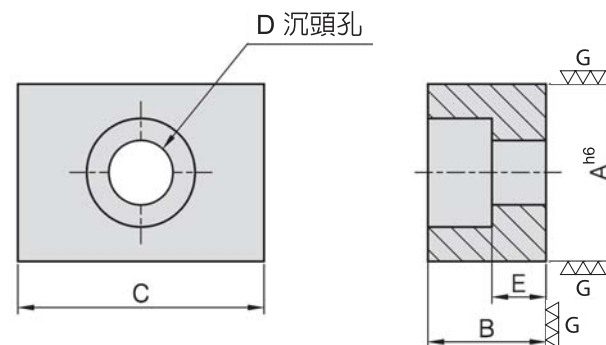


# PT27

## 定位鍵 LOCATING KEY



- 材質：S45C
- 熱處理：HRC 45°~50°
- 用途：用於各治具零件與 T 形溝基板或基座組合之定位用



MODEL NO.	A	B	C	D	E	kg
PT27-1008	10	8	20	M4	3.5	0.015
PT27-1208	12	8	20	M5	2.5	0.019
PT27-1410	14	10	22	M6	3.5	0.020
PT27-1610	16	10	22	M6	3.5	0.020
PT27-1810	18	10	22	M6	3.5	0.025
PT27-2010	20	10	22	M6	3.5	0.025
PT27-2210	22	10	22	M6	3.5	0.030