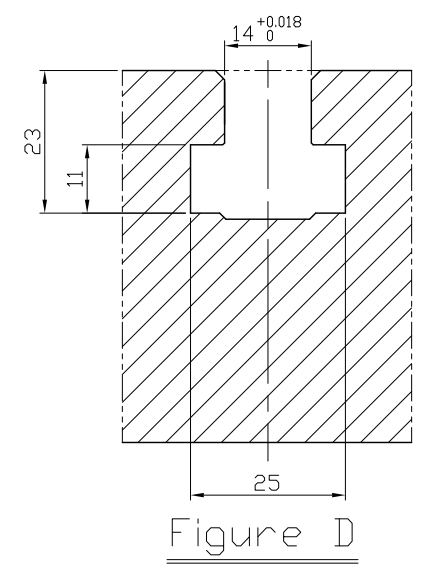
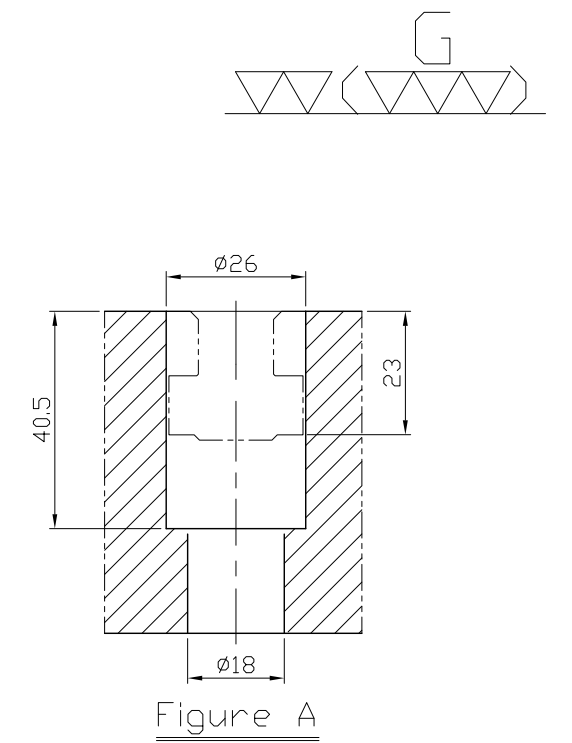
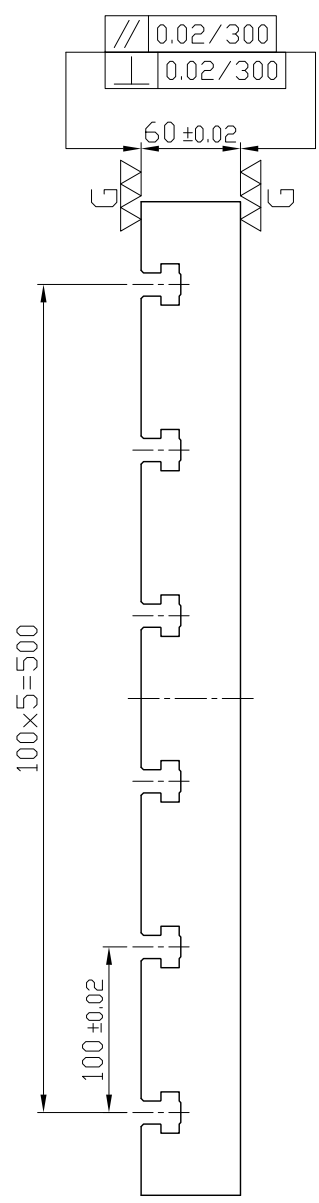
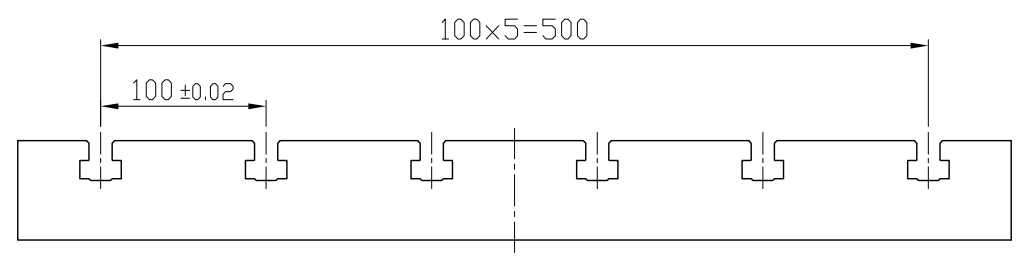


14 T-Slots
(Figure D)

6-M16
Cap-Screw hole
(Figure A)



NW:130KG

*Edge chamfered C2

| | | | | | | |
|---------------------|------------|-------------------------------------|-------------------------------|--------------------|--------------|--------------|
| Material FC300 | | Heat treatment Annealing Process | | Surface treatment | | |
| Drafted by S.C.H | Checked by | Approved by | Scale 1/1 | Date 2011.10.15 | Sheet 1/1 | Edition A |
| | | | TITLE M/C BASE PLATE | | | |
| | | | DWG.NO. BP03-60600-0600-14 | | | |