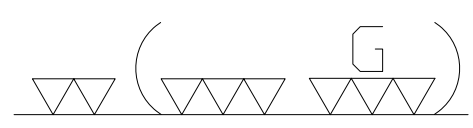


1 2 3 4 5 6 7 8 9 10 11 12 13 14 15 16 17 18 19 20

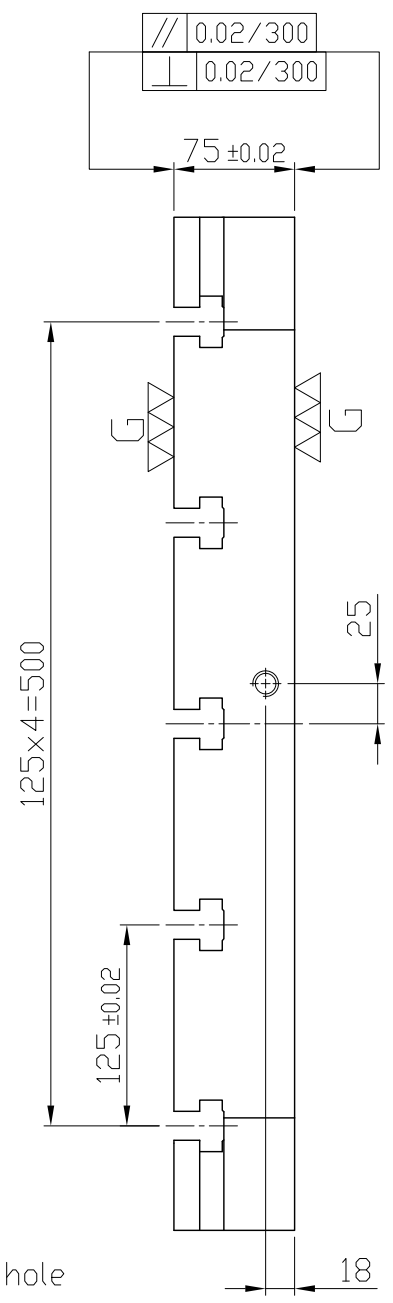
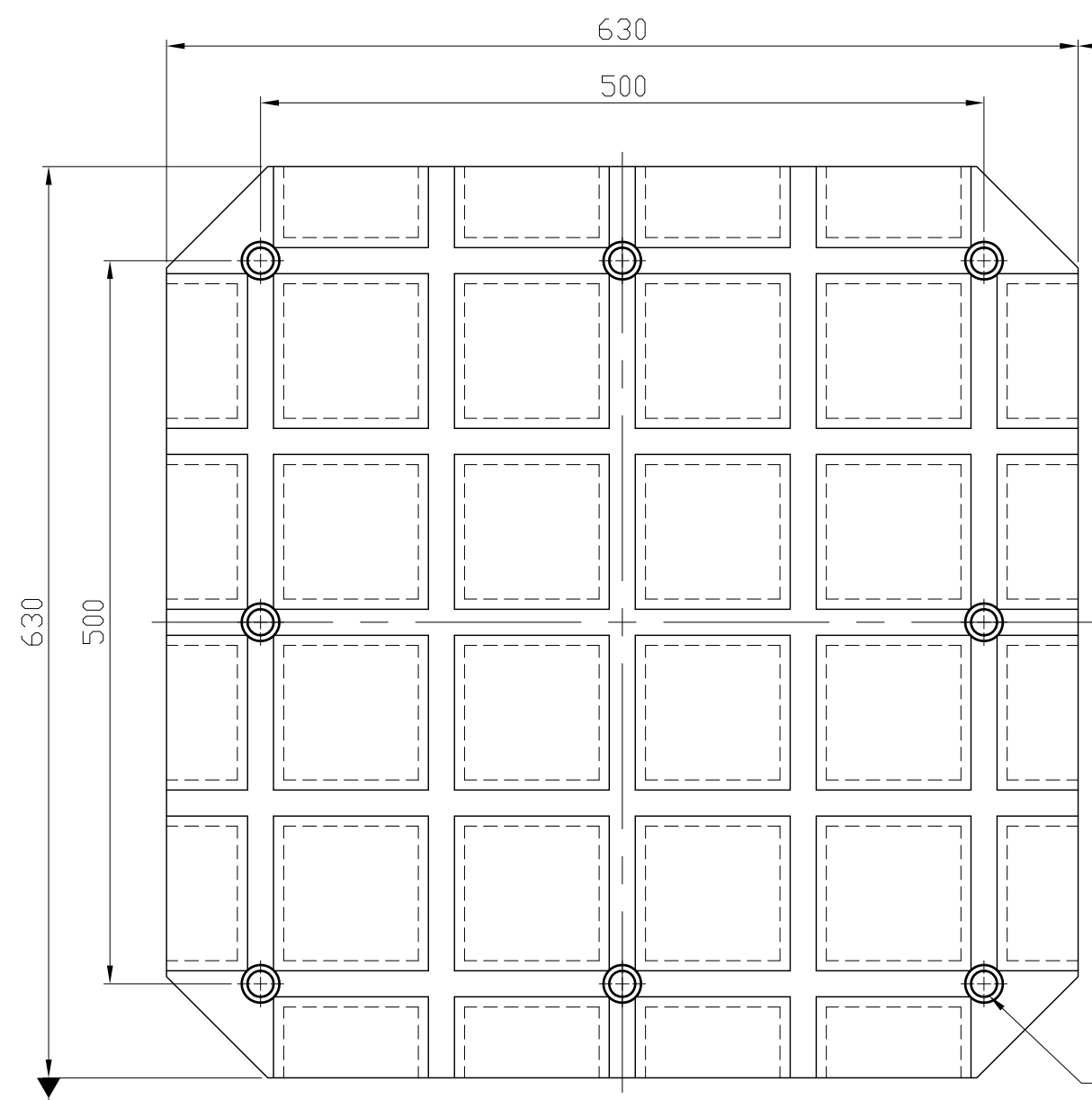
A B C D E F G H I J K L M N O P Q R S T U V W X Y Z AA AB

A B C D E F G H I J K L M N O P Q R S T U V W X Y Z AA AB



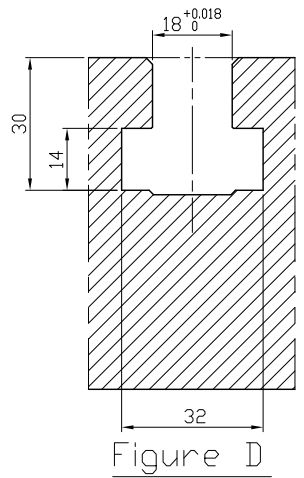
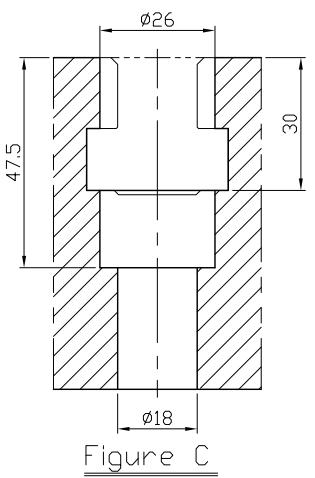
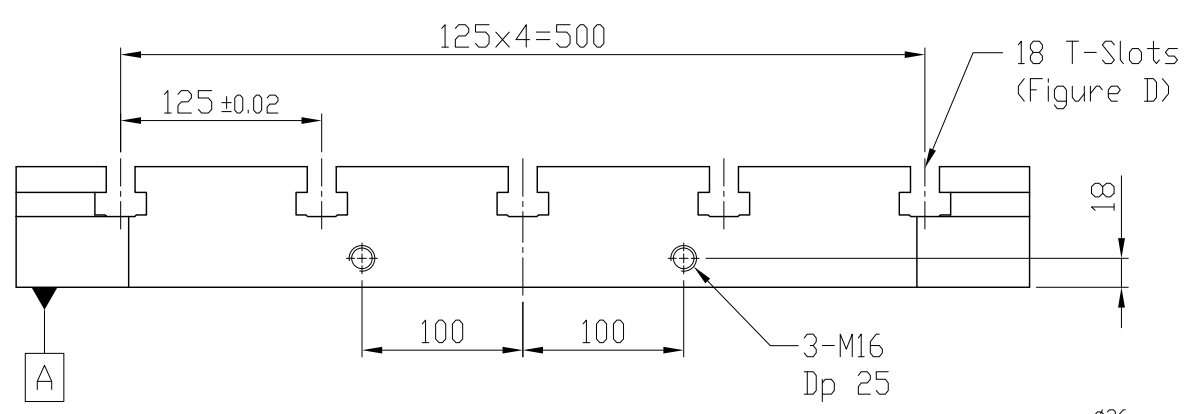
$\perp$  0.02/300 B

$\parallel$  0.02/300  
 $\perp$  0.02/300



8-M16  
Cap-Screw hole  
(Figure C)

$\perp$  0.02/300 A



NW:180KG

\*Edge chamfered C2

Material FC300		Heat treatment Annealing Process		Surface treatment			
Drafted by S.C.H	Checked by	Approved by		Scale 1/1	Date 2011.10.19	Sheet 1/1	Edition A
			TITLE M/C BASE PLATE				
			DWG.ND. BP06-75630-0630-18				

1 2 3 4 5 6 7 8 9 10 11 12 13 14 15 16 17 18 19 20