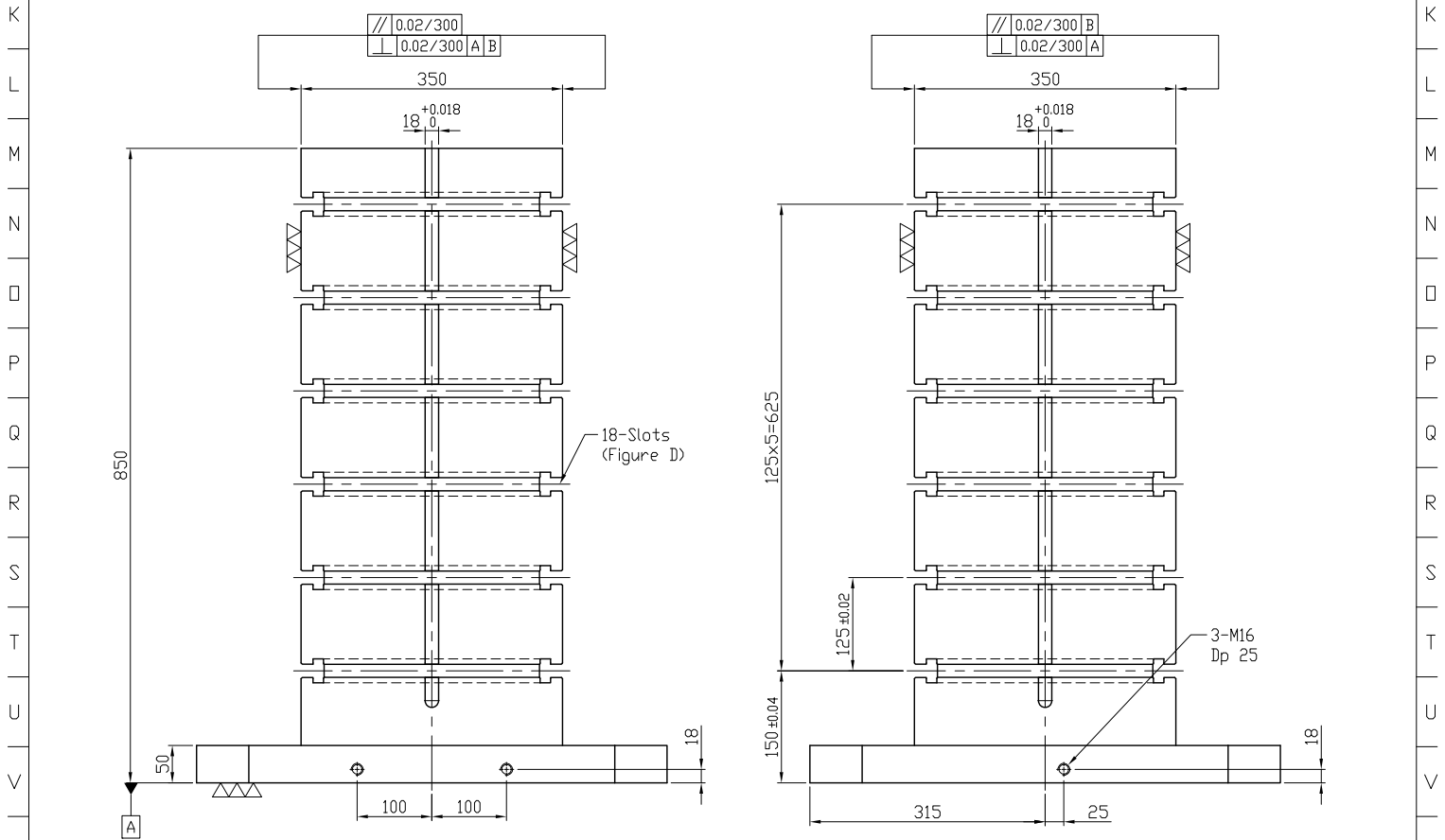
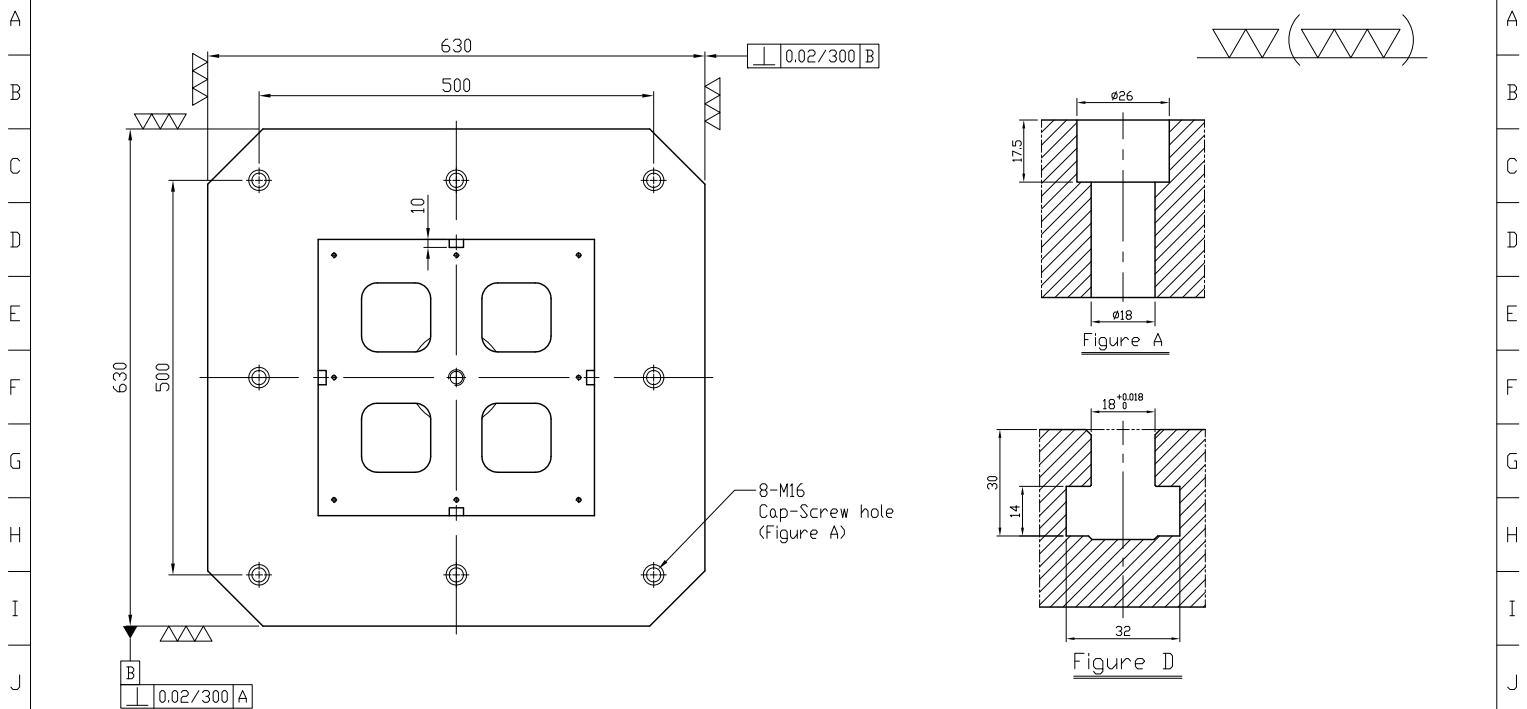



1 2 3 4 5 6 7 8 9 10 11 12 13 14 15 16 17 18 19 20



\*Edge chamfered C2

NW:425KG

Material FC300		Heat treatment Annealing Process		Surface treatment			
Drafted by S.C.H	Checked by	Approved by	Scale 1/1	Date 2011.10.19	Sheet 1/1	Edition A	
 LEAVE INDUSTRIAL CO., LTD.			TITLE SQUARE TOOLING COLUMN DWGNO. BP09-630630-0850-18				

1 2 3 4 5 6 7 8 9 10 11 12 13 14 15 16 17 18 19 20