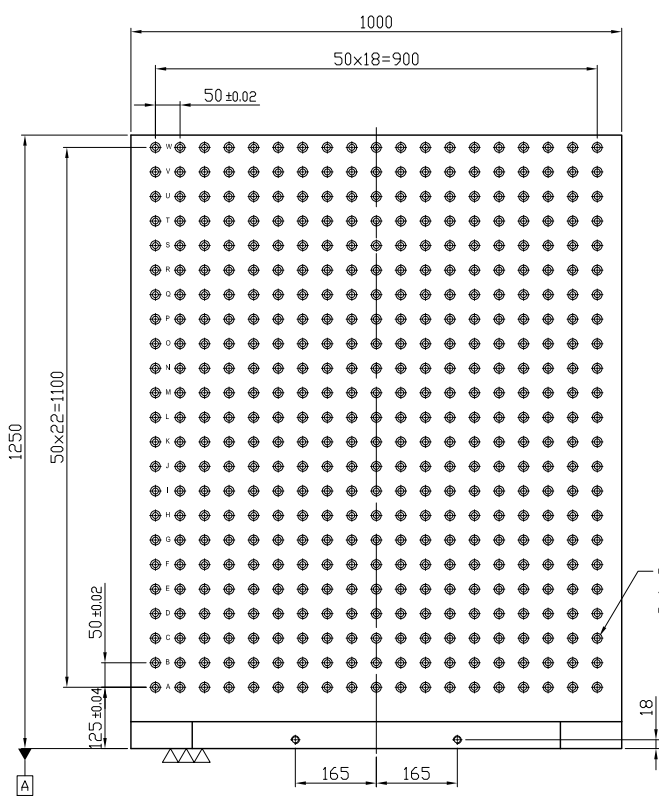
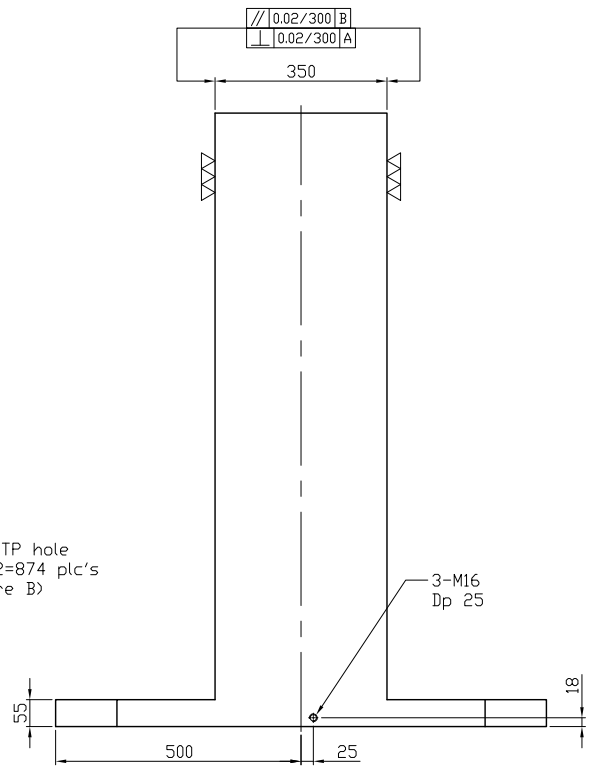


6-M20  
Cap-Screw hole  
(Figure A)



Ø12 MTP hole  
437x2=874 plc's  
(Figure B)



\*Edge chamfered C2

NW:1377KG

Material FC300		Heat treatment Annealing Process		Surface treatment			
Drafted by S.C.H	Checked by	Approved by	Scale 1/1	Date 2012.08.06	Sheet 1/1	Edition A	
LEAVE INDUSTRIAL CO., LTD.			TITLE DOUBLE SIDED TOOLING COLUMN				
			DWGNO. BP11-10001000-1250-12				