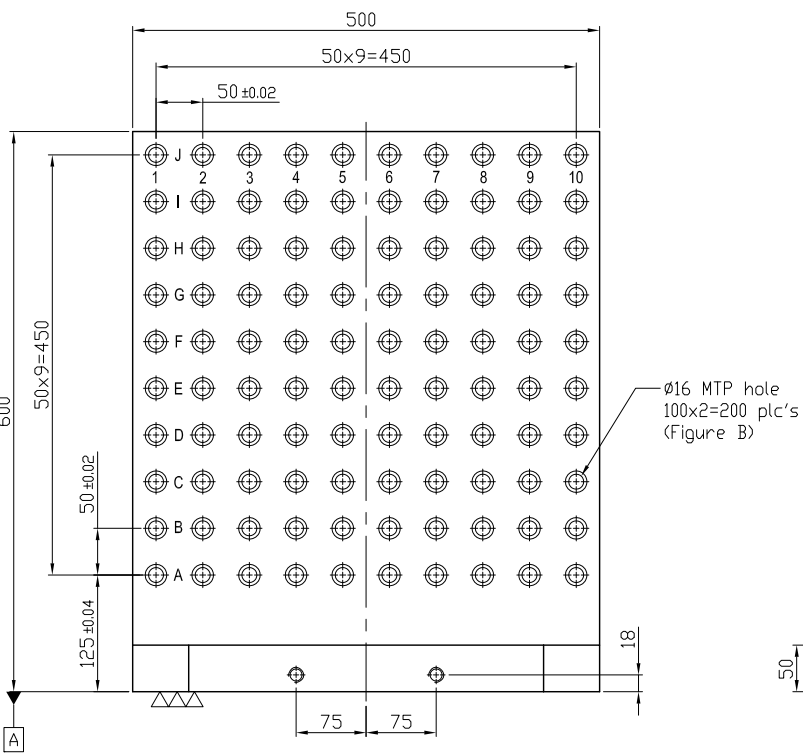


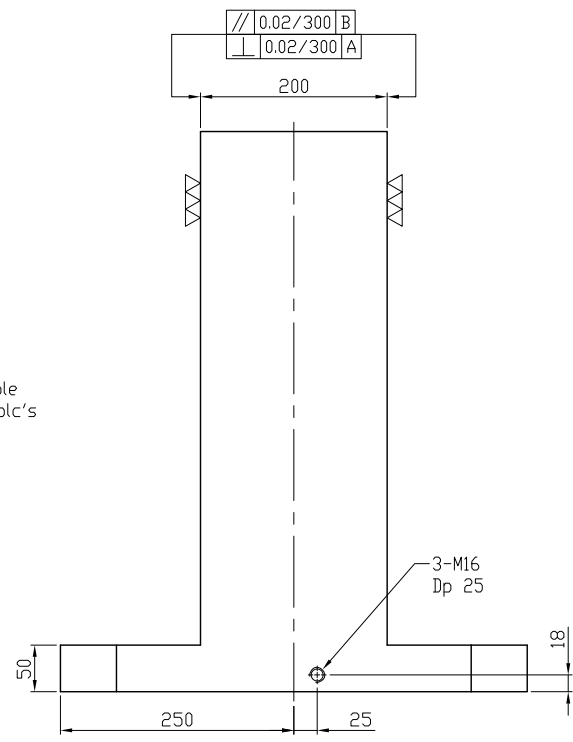
6-M16 Cap-Screw hole (Figure A)

Figure A

Figure B




Ø16 MTP hole 100x2=200 plc's (Figure B)



NW:260KG

\*Edge chamfered C2

Material FC300		Heat treatment Annealing Process		Surface treatment			
Drafted by S.C.H	Checked by	Approved by	Scale 1/1	Date 2011.10.19	Sheet 1/1	Edition A	
 LEAVE INDUSTRIAL CO., LTD.			TITLE DOUBLE SIDED TOOLING COLUMN DWGNO. BP11-500500-0600-16				