

Figure A

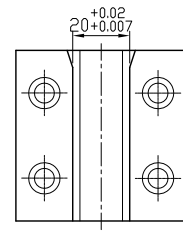
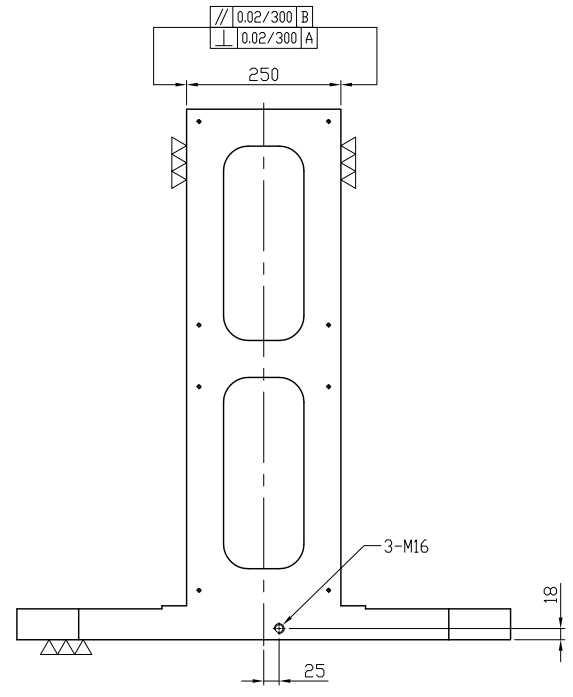
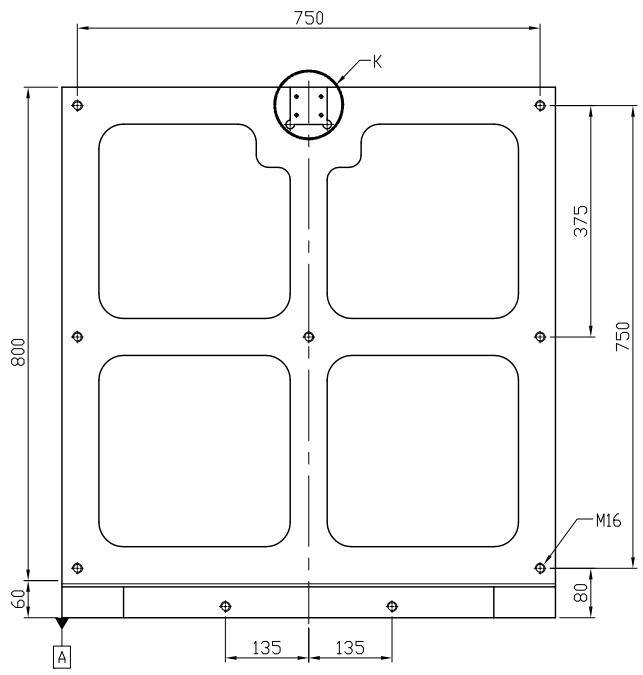


Figure K



NW:515KG

\*Edge chamfered C2

Material FC300		Heat treatment Annealing Process		Surface treatment			
Drafted by S.C.H	Checked by	Approved by		Scale 1/1	Date 2011.10.19	Sheet 1/1	Edition A
			TITLE MODULAR TOOLING COLUMN				
			DWG.ND. BP13-800800-0860				