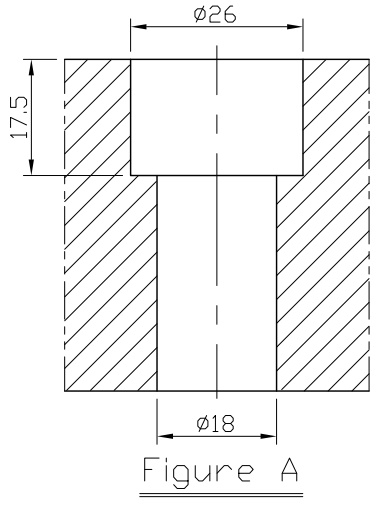
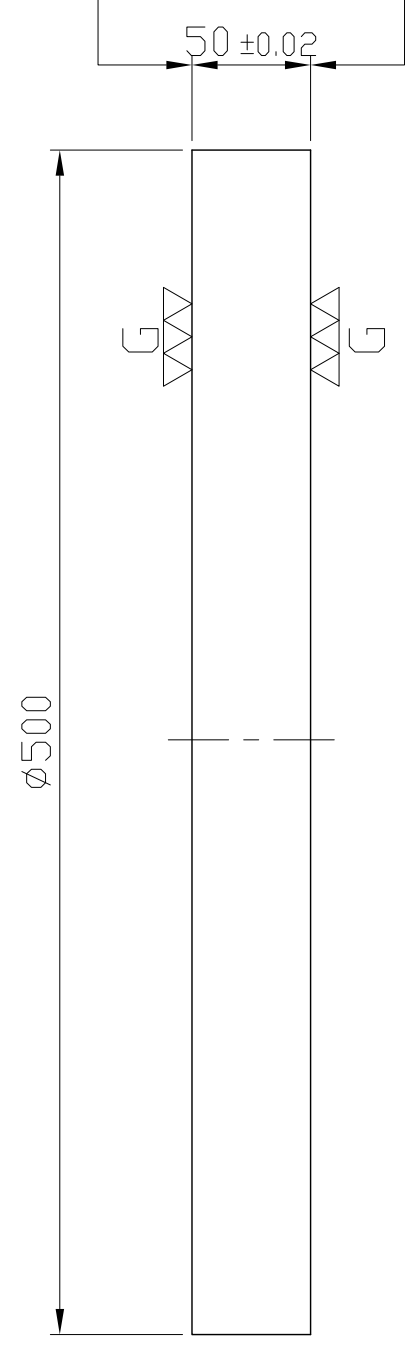


//	0.02/300
▤	0.02/300



*Edge chamfered C2

NW:65KG

Material FC300		Heat treatment Annealing Process			Surface treatment		
Drafted by S.C.H	Checked by	Approved by		Scale 1/1	Date 2011.10.19	Sheet 1/1	Edition A
LEAVE INDUSTRIAL CO., LTD.			TITLE ROUND BASE PLATE				
			DWG.NO. BP16-50-0500				