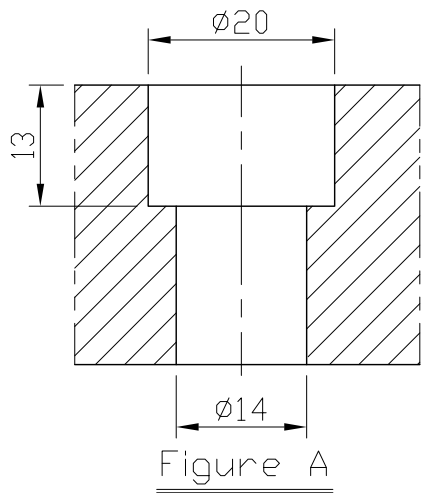
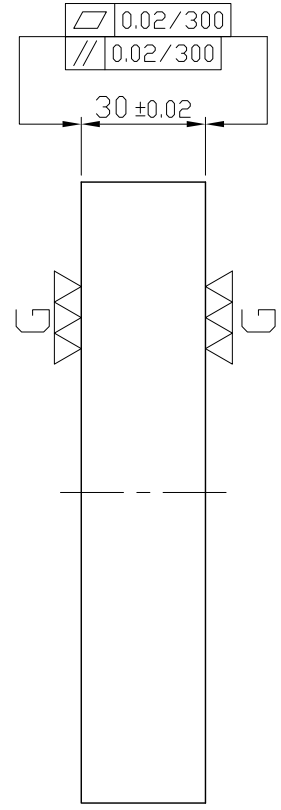
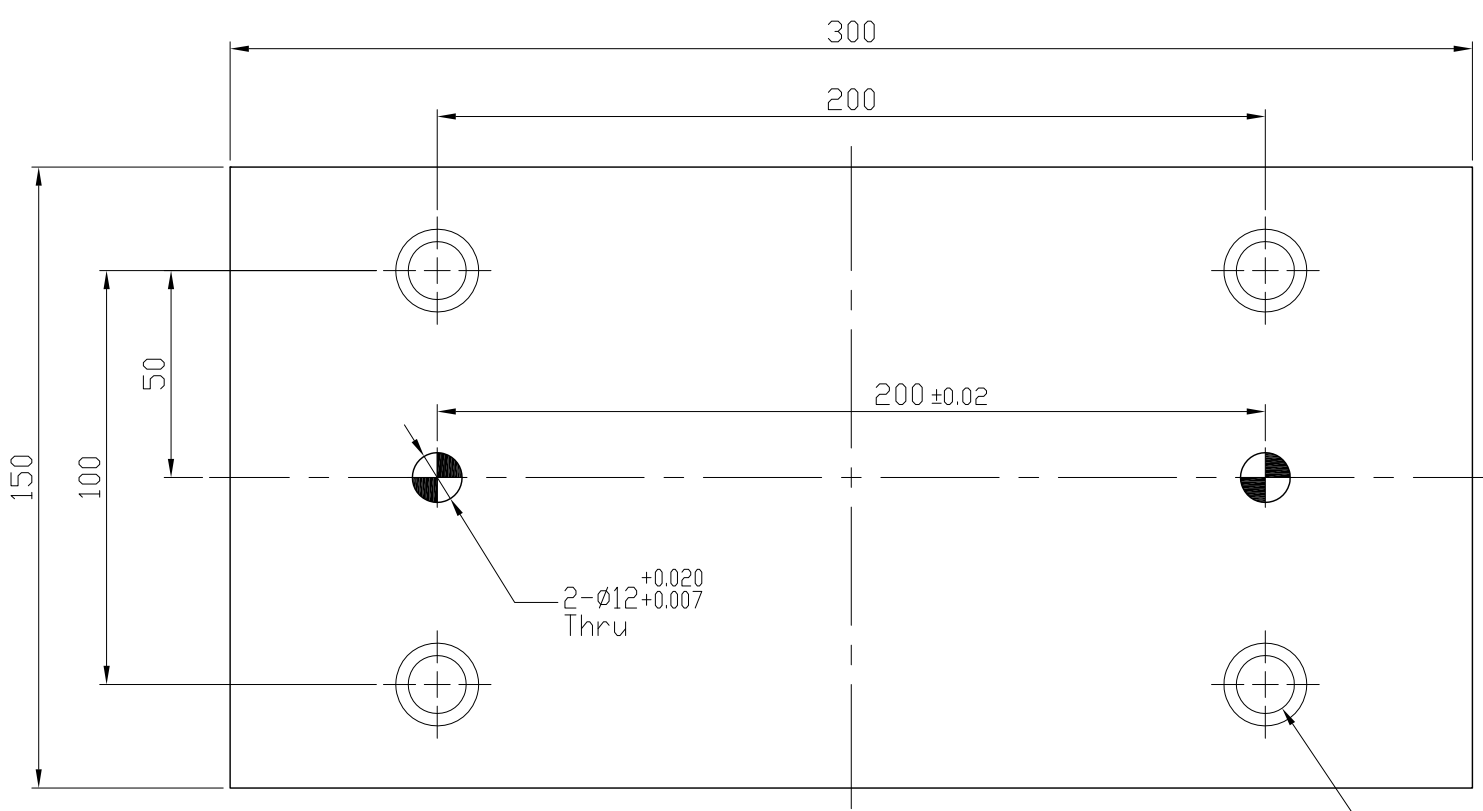
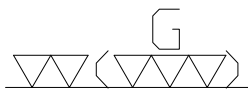


1 2 3 4 5 6 7 8 9 10 11 12 13 14 15 16 17 18 19 20

A  
B  
C  
D  
E  
F  
G  
H  
I  
J  
K  
L  
M  
N  
O  
P  
Q  
R  
S  
T  
U  
V  
W  
X  
Y  
Z  
AA  
AB



\*Edge chamfered C2

NW:10KG

Material FC300		Heat treatment Annealing Process			Surface treatment		
Drafted by S.C.H	Checked by	Approved by		Scale 1/1	Date 2012.01.12	Sheet 1/1	Edition A
			TITLE SUB-PLATE				
			DWG.NO. BP19-30150-0300-12				

1 2 3 4 5 6 7 8 9 10 11 12 13 14 15 16 17 18 19 20