

6-M16
Cap-Screw hole
(Figure A)

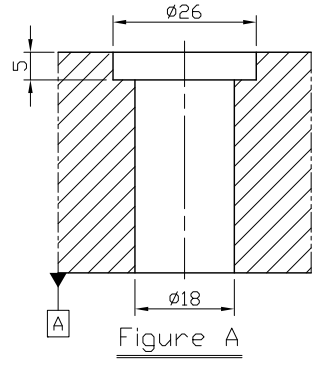


Figure A

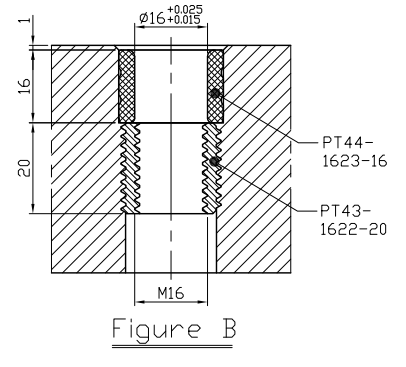
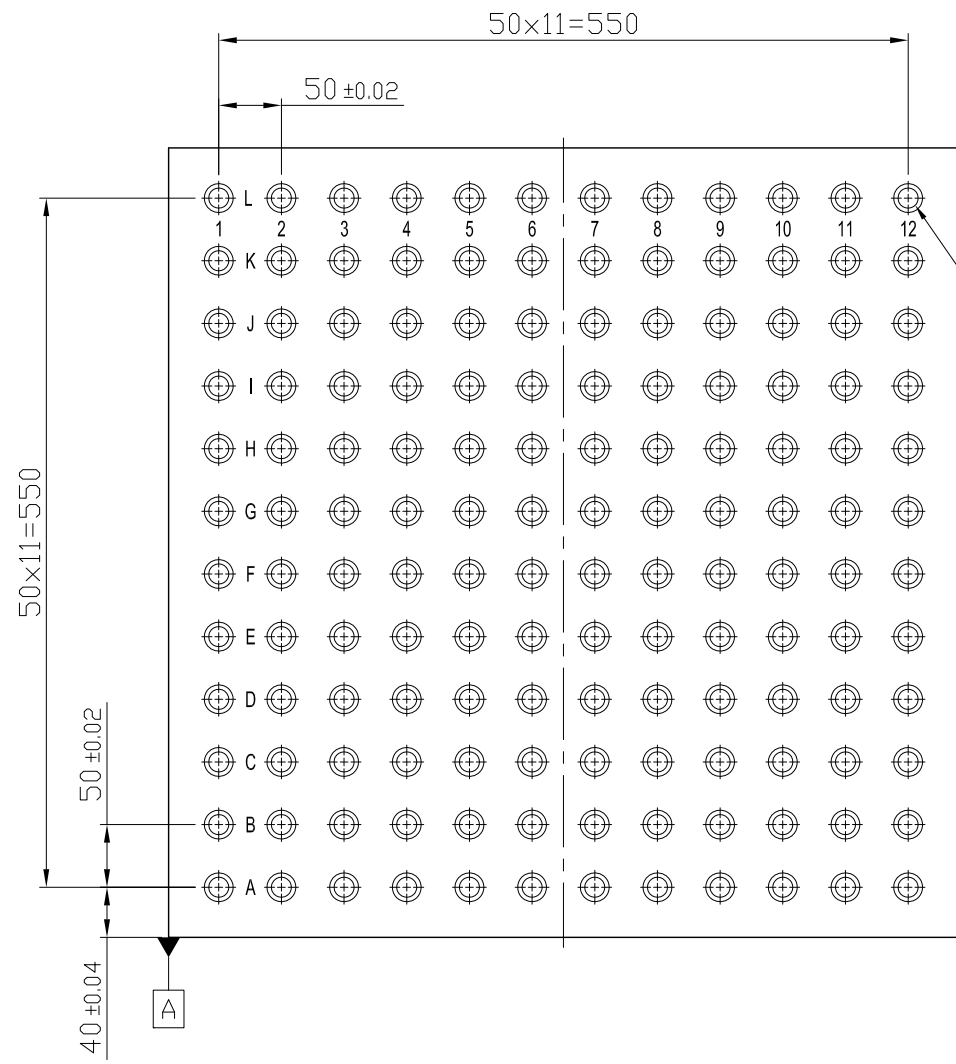
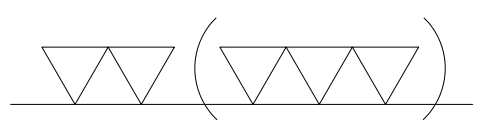
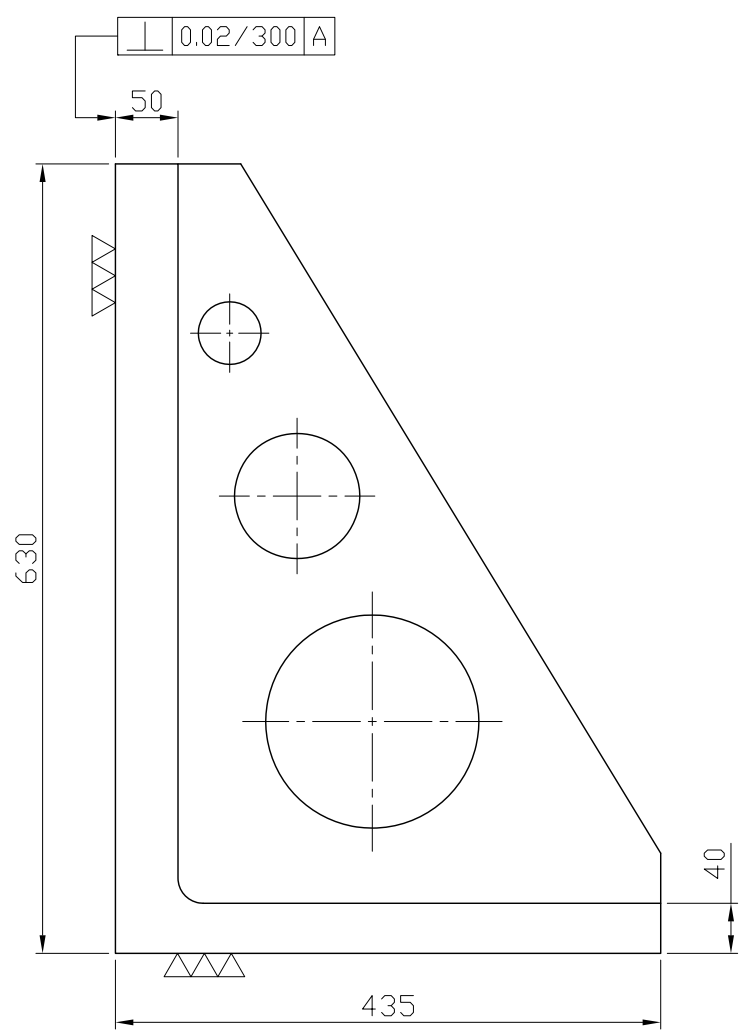


Figure B



144-Ø16
MTP hloe
(Figure B)



NW:262KG

*Edge chamfered C2

| | | | | | | | |
|---------------------|------------|-------------------------------------|--|--------------------------------|--------------------|--------------|--------------|
| Material FC300 | | Heat treatment Annealing Process | | | Surface treatment | | |
| Drafted by S.C.H | Checked by | Approved by | | Scale 1/1 | Date 2011.10.19 | Sheet 1/1 | Edition A |
| | | | | TITLE ANGLE PLATE | | | |
| | | | | DWG.NO. BP21-435630-0630-16 | | | |