

6-M16
Cap-Screw hole
(Figure A)

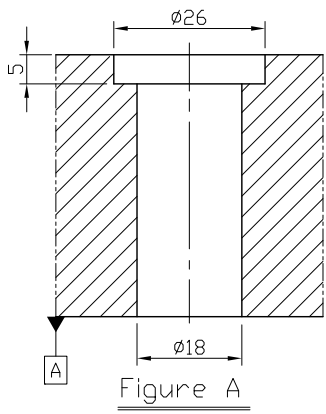


Figure A

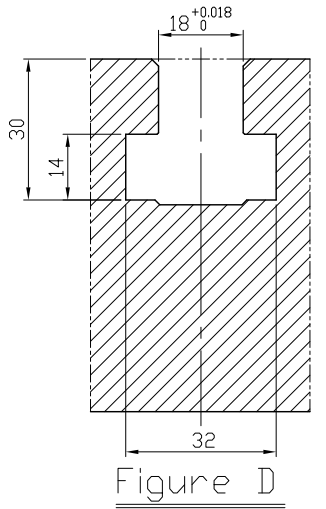
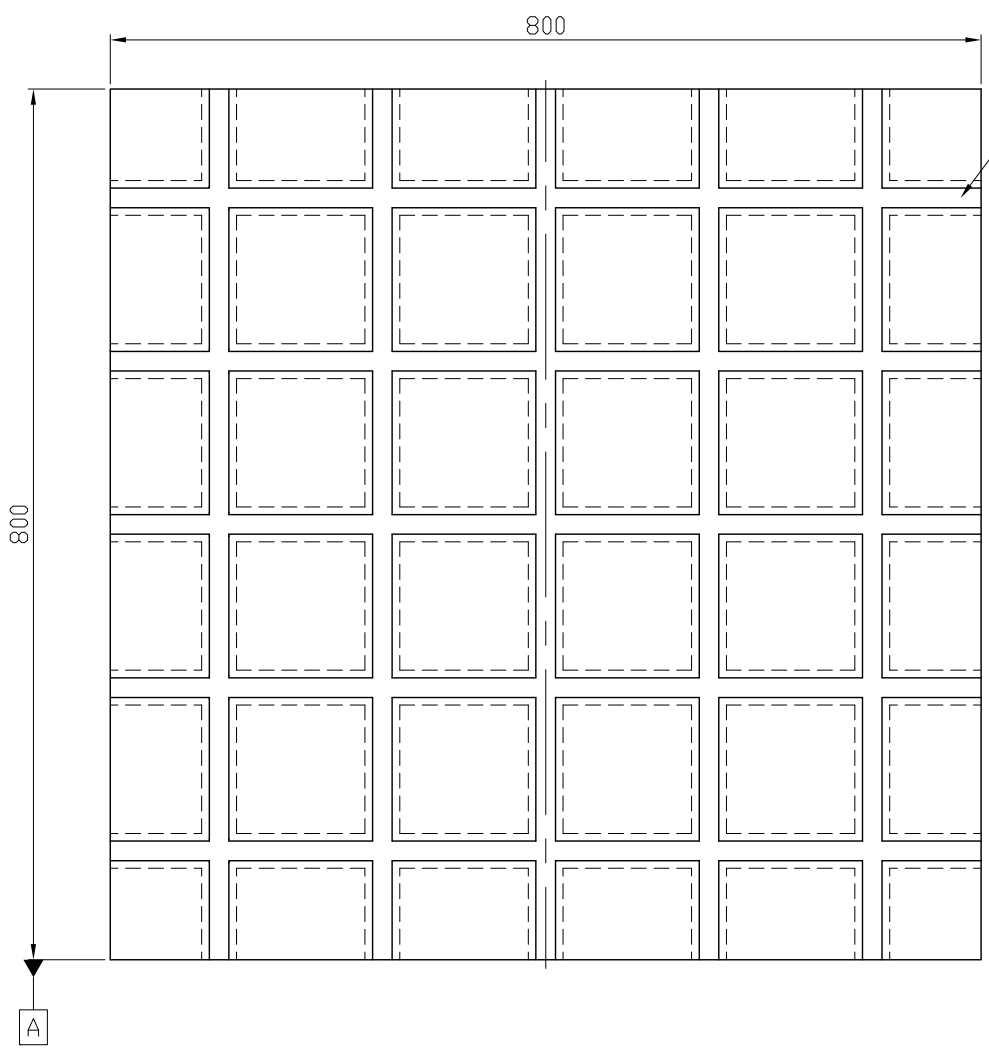
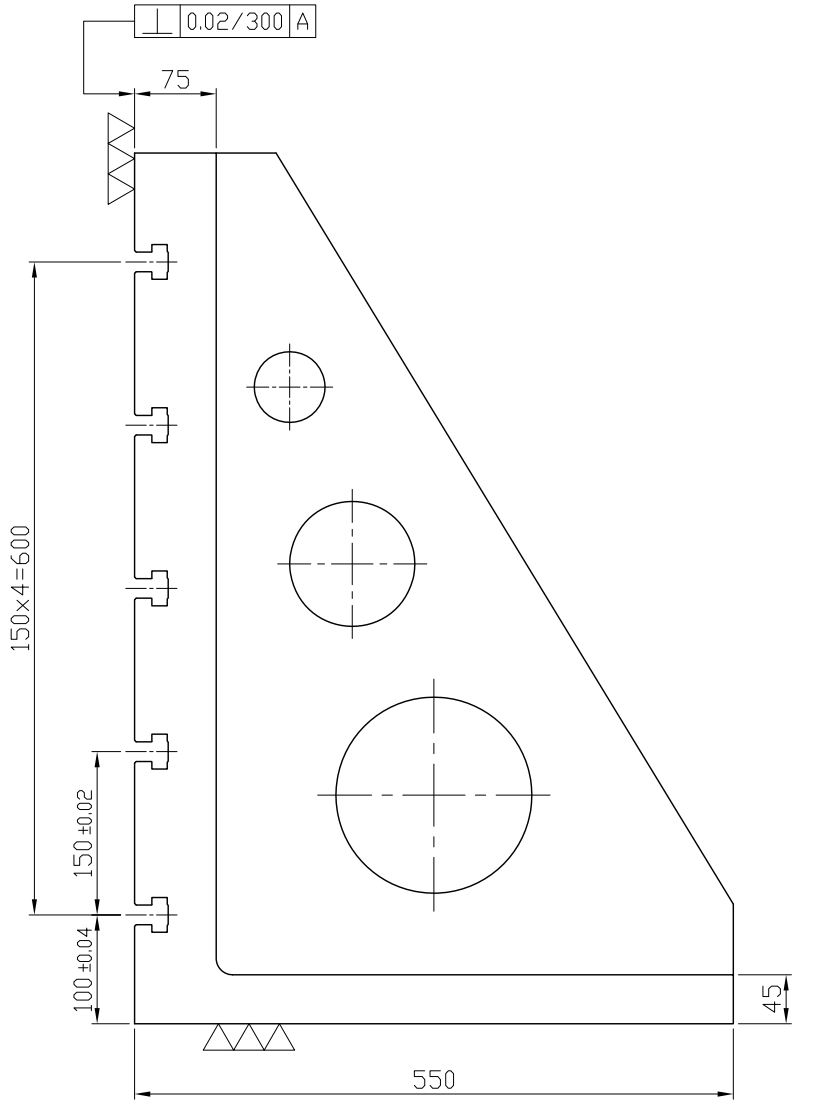


Figure D



18 T-Slots
(Figure D)



NW:555KG

*Edge chamfered C2

Material FC300		Heat treatment Annealing Process			Surface treatment		
Drafted by S.C.H	Checked by	Approved by	Scale 1/1	Date 2011.12.12	Sheet 1/1	Edition A	
			TITLE ANGLE PLATE				
			DWG.ND. BP22-550800-0800-18				