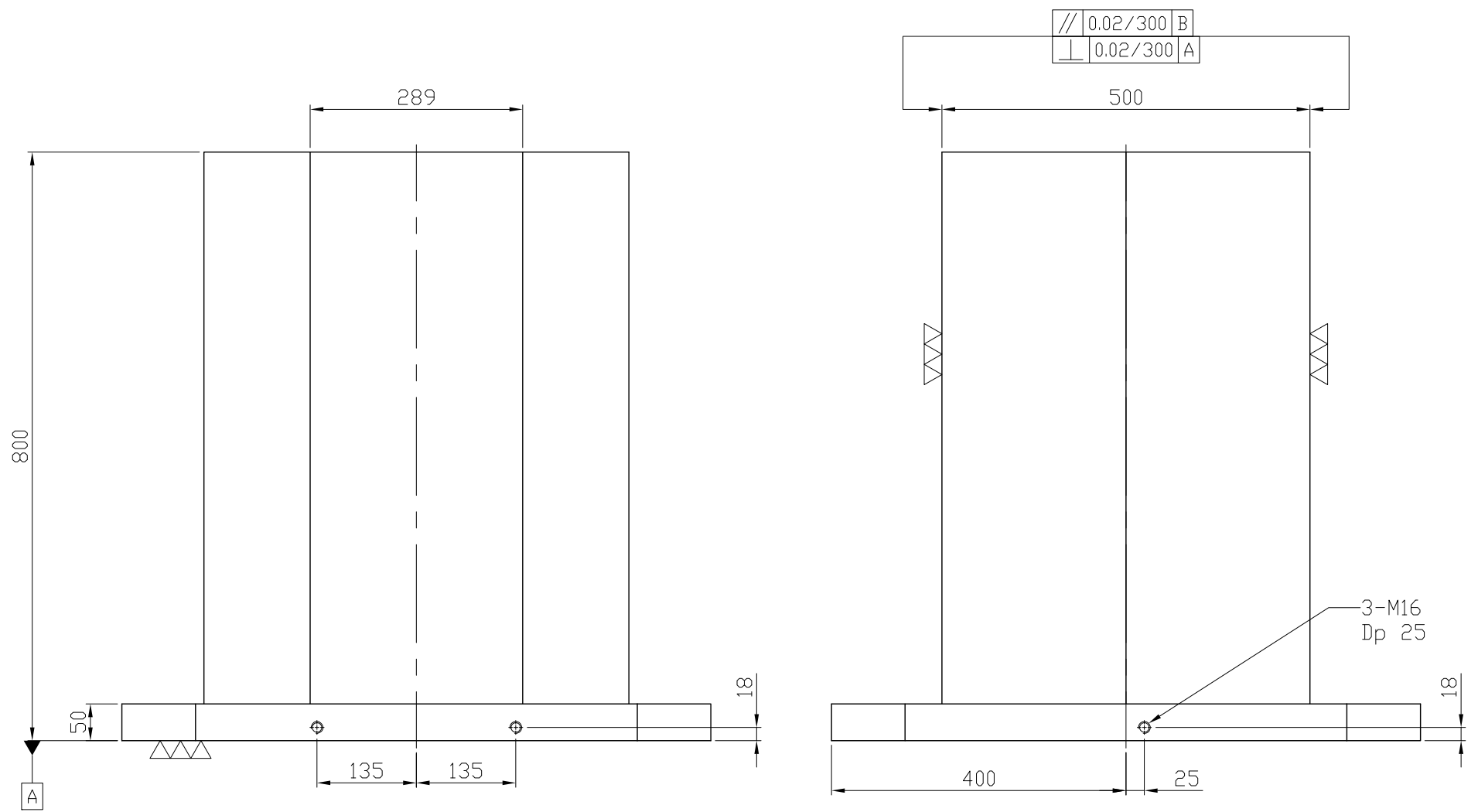
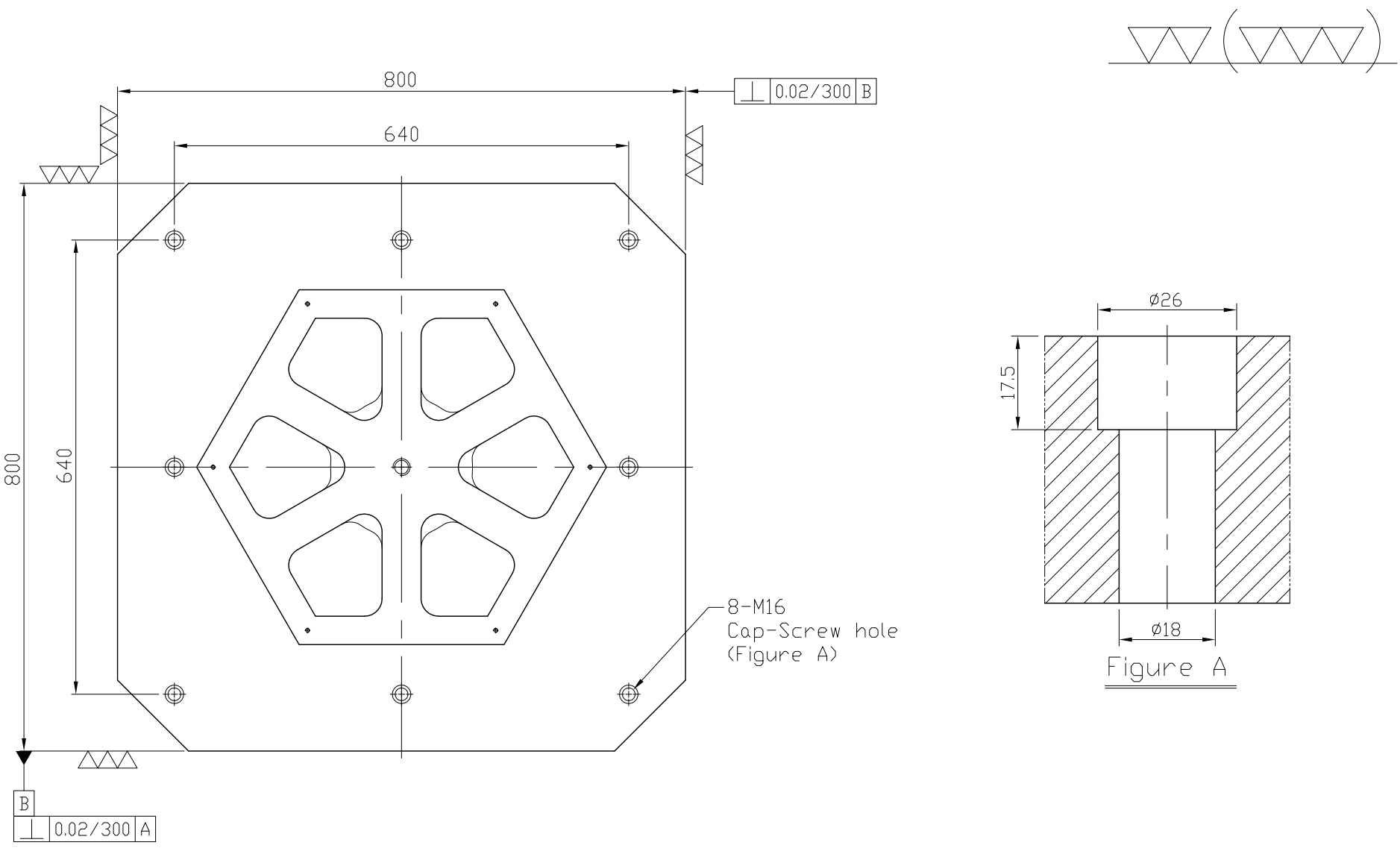


1 2 3 4 5 6 7 8 9 10 11 12 13 14 15 16 17 18 19 20

A B C D E F G H I J K L M N O P Q R S T U V W X Y Z AA AB



*Edge chamfered C2

NW:619KG

Material FC300		Heat treatment Annealing Process		Surface treatment			
Drafted by S.C.H	Checked by	Approved by		Scale 1/1	Date 2011.12.22	Sheet 1/1	Edition A
			TITLE HEXAGONAL CUBE				
			DWG.NO. BP31-800800-0800				

1 2 3 4 5 6 7 8 9 10 11 12 13 14 15 16 17 18 19 20