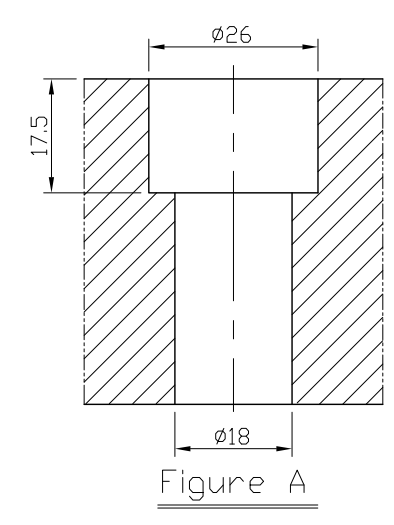
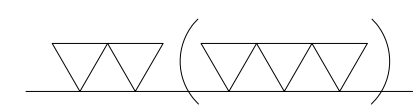
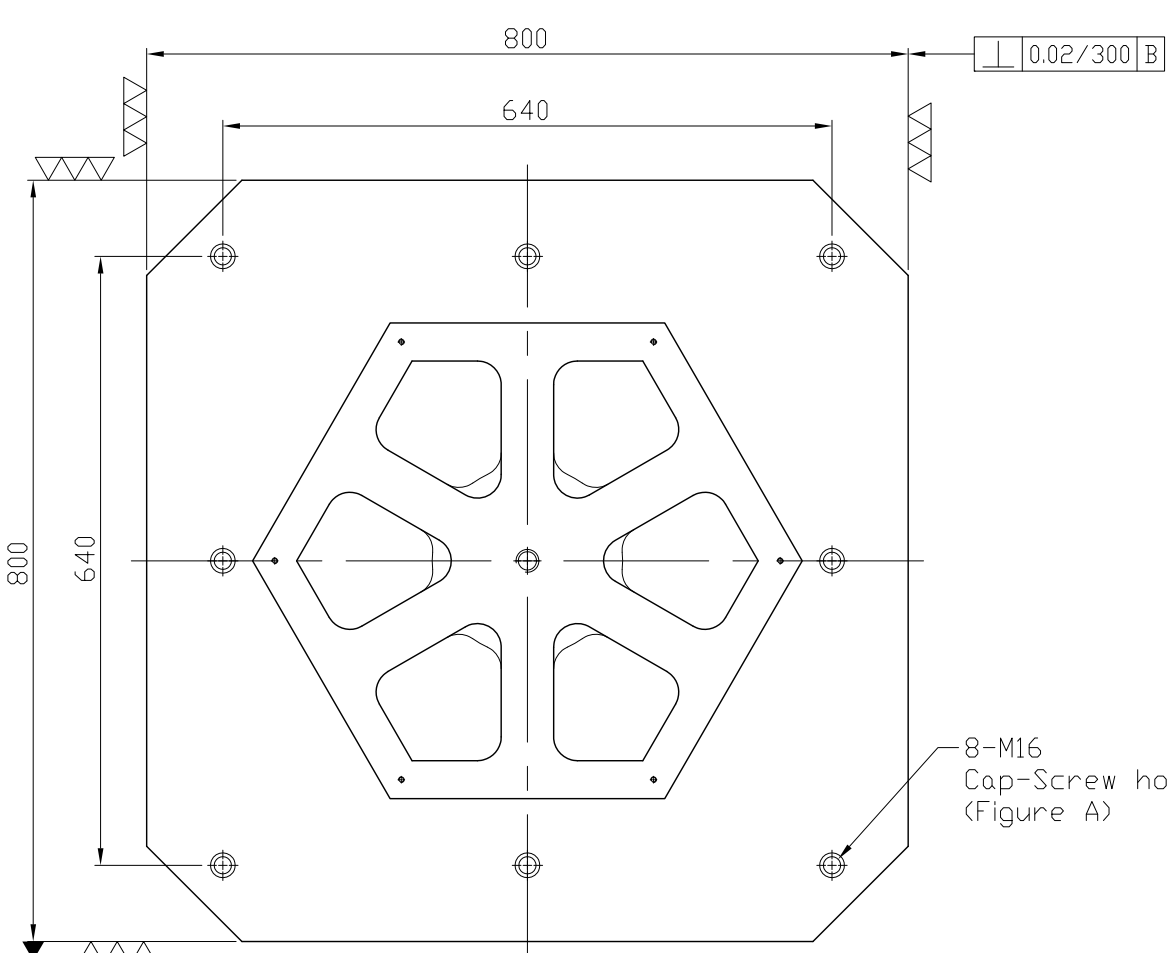


1 2 3 4 5 6 7 8 9 10 11 12 13 14 15 16 17 18 19 20

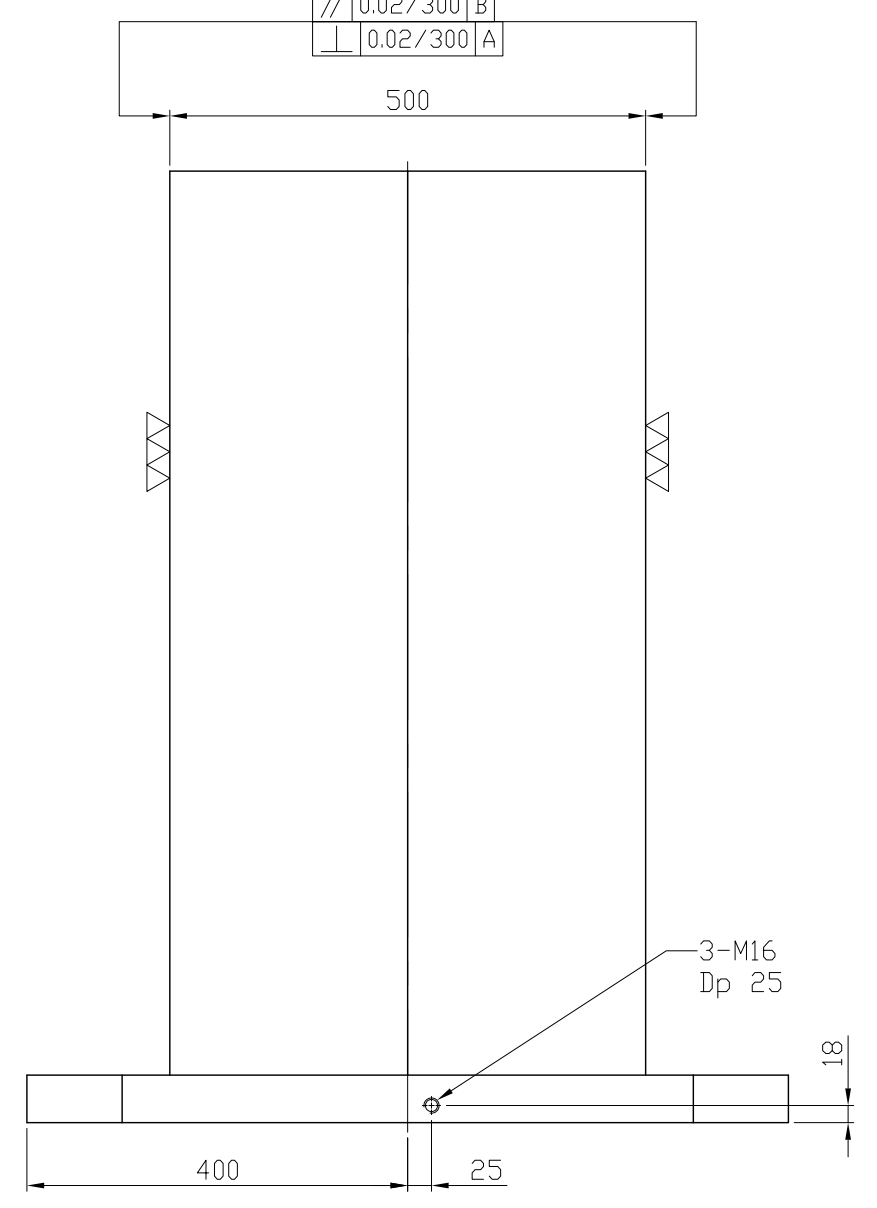
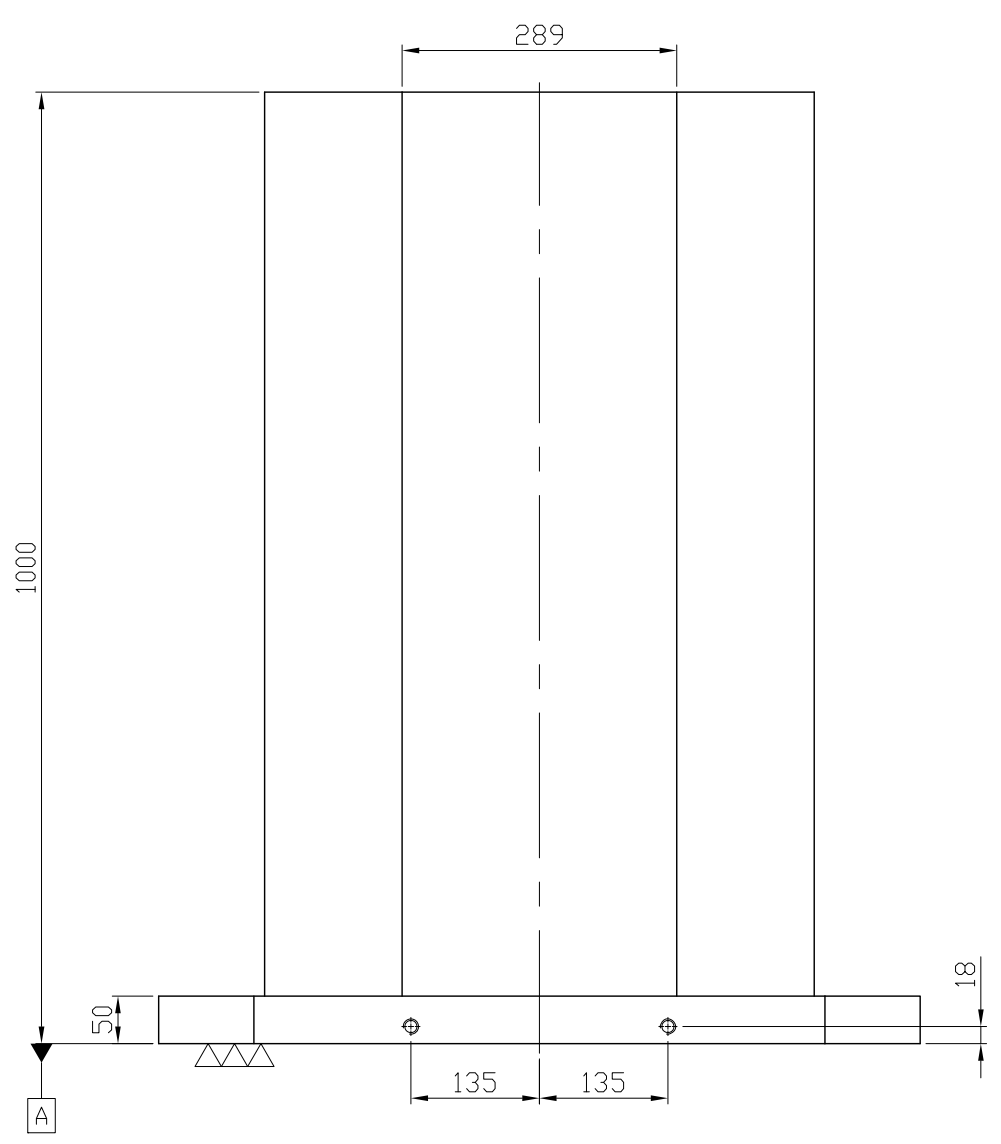
A B C D E F G H I J K L M N O P Q R S T U V W X Y Z AA AB



8-M16  
Cap-Screw hole  
(Figure A)

B  
0.02/300 A

// 0.02/300 B  
└ 0.02/300 A



\*Edge chamfered C2

NW:713KG

Material FC300		Heat treatment Annealing Process			Surface treatment		
Drafted by S.C.H	Checked by	Approved by		Scale 1/1	Date 2011.12.22	Sheet 1/1	Edition A
				TITLE HEXAGONAL CUBE			
				DWG.NO. BP31-800800-1000			

1 2 3 4 5 6 7 8 9 10 11 12 13 14 15 16 17 18 19 20